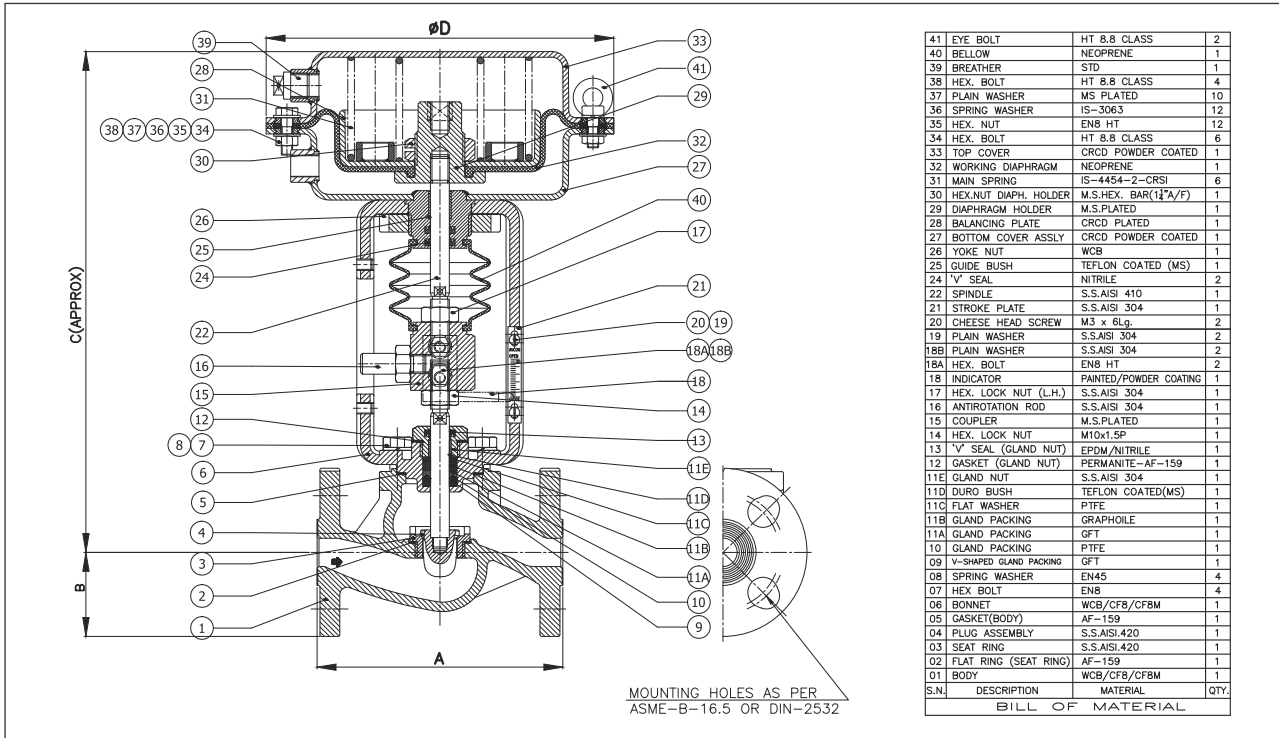


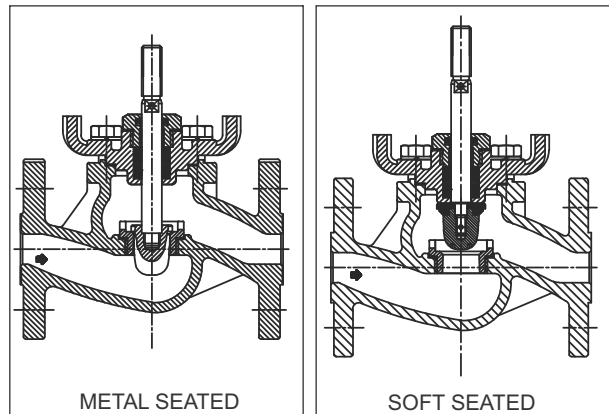
2-Way Pneumatic on-off & Control Valves with Multispring Diaphragm Actuator.



TECHNICAL DATA

Valve Size MM	15	20	25	40	50	65	80	100	150
Port Sizes 2-way	18	22	25	40	50	65	75	100	150
Kv. M ³ /hr.	4.0	6.3	10	25	40	63	100	160	400
Travel	20	20	20	20	20	30	30	30	30
Actuator MSD	200	200	200	250	250	400	600	600	600

- ✓ 7912 A are Metal Seated Normally Close Valves .
- ✓ 7922 A are Metal Seated Normally Open Valves .
- ✓ 7912 B are Soft Seated Normally Close Valve .
- ✓ 7922 B are Soft Seated Normally Open Valve .



DIMENSIONS (in mm)

Model Number	Size	Pneumatic Actuator	A	B	C	ØD	Wt. Kg. (Approx.)	Envelope Size LxHxW (Approx.)	Box Wt. Kg. (Approx.)
	Inch								
7912A 155X200	1/2	200	130	44.5	265	200	6.5	465 x 275 x 275	7.5*
7912A 205X200	3/4	200	150	49	265	200	7.5	470 x 275 x 275	9.5*
7912A 255X200	1	200	160	54	285	200	10.5	505 x 275 x 275	13*
7912A 405X250	1 1/2	250	200	63.5	327	250	16	528 x 275 x 275	20*
7912A 505X250	2	250	230	76	385	250	20	591 x 275 x 275	25*
7912A 655X400	2 1/2	400	290	89	436	300	25	450 x 330 x 325	31.5**
7912A 805X600	3	600	310	95.5	442	366	30	500 x 350 x 400	37**
7912A 1005X600	4	600	350	114.5	460	366	35	525 x 400 x 400	44**
7912A 1505X600	6	600	480	139.5	675	366	40	575 x 500 x 400	120**

✓ Over all Dimensions will remain same for 7912 A, 7922 A, 7912B & 7922 B .

NOTE:

Technical specification, details & dimensions are approximate & subject to change without prior notice .

*Weight of cardboard + PUF Box Packing, Which may change for Export when packed in wooden box. **Weight of Wooden Box packing.