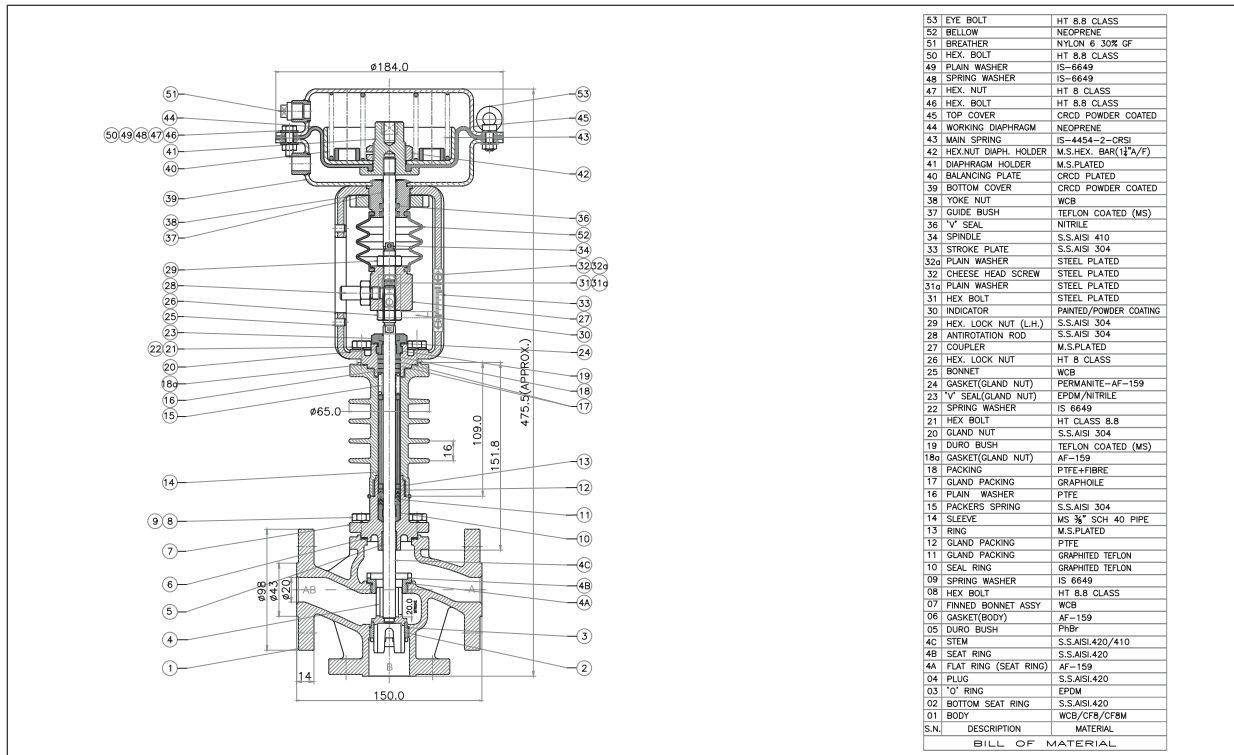


3-Way Finned Bonnet Pneumatic on-off & control Valves with Multispring Diaphragm Actuator.



TECHNICAL DATA

Valve Size MM	20	25	40	50	65	80	100	150
Port Sizes	22	25	38	50	65	80	101	140
2-way					60	75	101	140
Kv. M ³ /hr.	6.3	10	30	40	63	100	160	320
Travel	20	20	20	20	30	30	30	30
Actuator MSD	200	200	250	250	400	600	600	600

◆ 7919 A/WCBF are Metal Seated Valves.

DIMENSIONS (IN MM)

Model Number	Size	Pneumatic Actuator	A	B	C	ØD	Wt. Kg. (Approx.)	Envelope Size LxHxW (Approx.)	Box Wt. Kg. (Approx.)
	Inch								
7919 A/WCBF 205X200	3/4	200	150	70	265	200	8.5	470 x 275 x 275	10.5*
7919 A/WCBF 255X200	1	200	160	75	286	200	10	505 x 275 x 275	12.5*
7919 A/WCRF 405X250	1 1/2	250	200	90	340	250	18	528 x 275 x 275	22.5*
7919 A/WCBF 505X250	2	250	230	100	361	250	22	591 x 275 x 275	27.5*
7919 A/WCBF 655X400	2 1/2	400	290	120	436	300	27	615 x 300 x 350	33.5**
7919 A/WCBF 805X600	3	600	310	130	442	366	32	615 x 425 x 425	40**
7919 A/WCBF 1005X600	4	600	350	150	460	366	37	650 x 425 x 425	46**
7919 A/WCBF 1505X600	6	600	480	225	675	366	42	900 x 425 x 425	52.5**

NOTE:

Technical specification, details & dimensions are approximate & subject to change without prior notice .

*Weight of cardboard + PUF Box Packing, Which may change for Export when packed in wooden box. **Weight of Wooden Box packing.