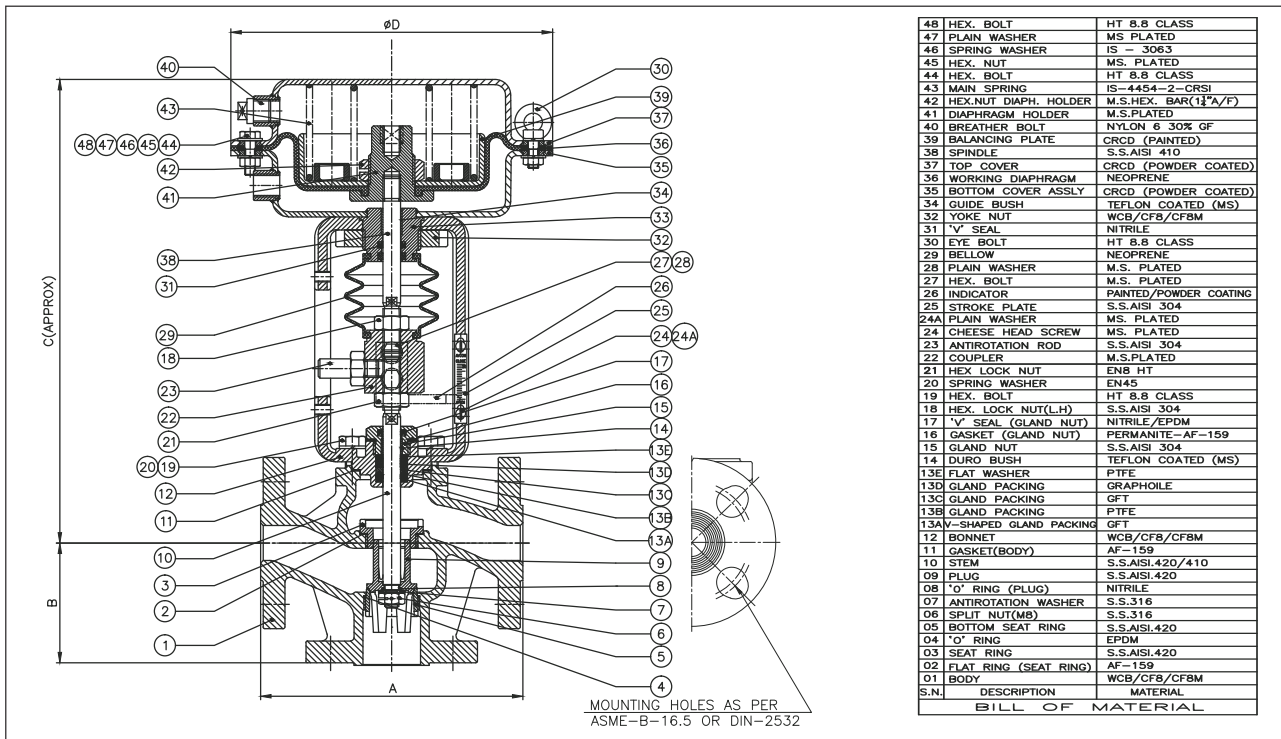
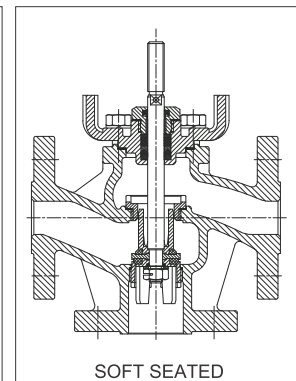
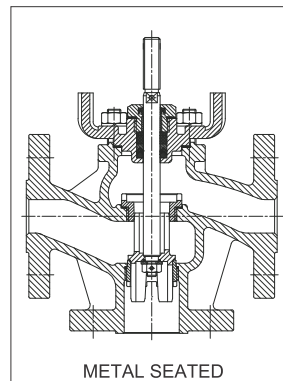


3-Way Pneumatic on-off & control Valves with Multispring Diaphragm Actuator.



TECHNICAL DATA

Valve Size MM	20	25	40	50	65	80	100	150	
Port Size Dim in mm	Upper A Port	21	27	40	50	65	80	101	140
	Upper B Port	25	27	40	50	60	75	101	140
Kv. M ³ /hr.	6.3	10	25	40	63	100	160	320	
Travel	20	20	20	20	30	30	30	30	
Actuator MSD	200	200	250	250	400	600	600	600	



DIMENSIONS (IN MM)

Model Number	Size Inch	Pneumatic Actuator	A	B	C	ØD	Wt. Kg. (Approx.)	Envelope Size LxHxW (Approx.)	Box Wt. Kg. (Approx.)
7919A 255X200	1	200	160	75	286	200	10	505 x 275 x 275	12.5*
7919A 405X250	1 1/2	250	200	90	340	250	18	528 x 275 x 275	22.5*
7919A 505X250	2	250	230	100	361	250	22	591 x 275 x 275	27.5*
7919A 655X400	2 1/2	400	290	120	436	300	27	615 x 300 x 350	33.5**
7919A 805X600	3	600	310	130	442	366	32	615 x 425 x 425	40**
7919A 1005X600	4	600	350	150	460	366	37	650 x 425 x 425	46**
7919A 1505X600	6	600	480	225	675	366	42	900 x 425 x 425	52.5**

NOTE:

Technical specification, details & dimensions are approximate & subject to change without prior notice .
 *Weight of cardboard + PUF Box Packing, Which may change for Export when packed in wooden box. **Weight of Wooden Box packing.