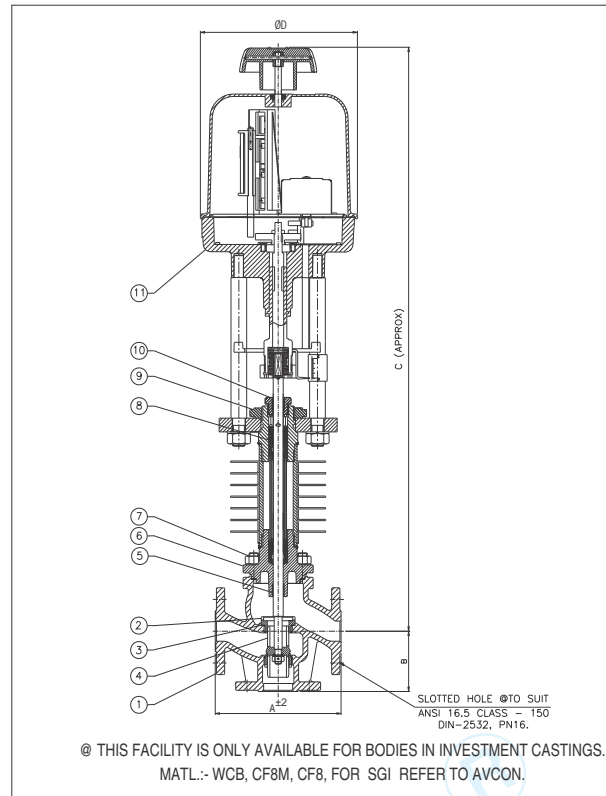


2/3 WAY FINNED BONNET (WCBF) CONTROL VALVES WITH ELECTRIC ACTUATOR .

BILL OF MATERIAL

Item	Parts	Material
1	Body	SS ASTM A351CF8/CF8M
		CS ASTM A216, Gr. WCB
		SGI
2	Seat	SS AISI 420/ SS AISI 316
3	Gasket	Cr.Ni Foil coated with graphite
4	Plug	SS AISI 420/ SS AISI 316
5	Duro Bush	PTFE Lined & coated,
		SS backed.
6	Bonnet	SS ASTM A351CF8/CF8M
		CS ASTM A 216, Gr. WCB
		SGI
7	Studs/ Nuts	IS 1363, ASTM A193, Gr.B7
		IS 1363, ASTM A 194, Gr.2H
8	Gland Packing	Graphited PTFE
9	Gland Nut	SS AISI 304
10	Yoke Nut	CS ASTM A216, Gr. WCB
11	Actuator	Electric Actuator

◆ Refer to actuator leaflet for details of components.



TECHNICAL DATA TABLE

Valve size in mm		20	25	40	50	65	80	100	150
5516 Mixing	Port size	21	27	40	50	65	80	101	140
	Dim. in mm	Upper 'A' Port	25	27	40	50	60	75	101
	Lower 'B' Port	25	27	40	50	60	75	101	140
	Kv. M ³ /hr.	6.3	10	25	40	63	100	160	320
Travel		20	20	20	30	30	30	30	50
		30	30	30					
Electric Actuator	KN 05	KN 05	KN 05	KN 05	KN 07	KN 07	KN 10	KN 10	
				KN 07		KN 10	KN 25	KN 25	

DIMENSIONS (IN MM)

Catalogue Number	Size	Electric Actuator	A	B	C	ØD	Wt. Kg. (Approx.)	Envelope Size LxHxW (Approx.)	Box Wt. Kg. (Approx.)
	Inch								
5516A205/WCBF x KN 05	3/4	KN 05	150	70	580	Ø178	10.5	700 x 203 x 203	13.5*
5516A255/WCBF x KN 05	1	KN 05	160	75	635	Ø178	12.5	760 x 203 x 203	16.0*
5516A405/WCBF x KN 05	1 ½	KN 05	200	90	650	Ø178	19.0	790 x 203 x 203	24.0*
5516A505/WCBF x KN 05	2	KN 05	230	100	730	Ø178	27.0	880 x 203 x 203	32.0*
5516A501/WCBF x KN 07		KN 07			835	Ø225	33.0	985 x 250 x 250	39.0*
5516A655/WCBF x KN 07	2 ½	KN 07	290	145	755	Ø178	36.0	950 x 203 x 203	43.0**
5516A805/WCBF x KN 07	3	KN 07	310	155	855	Ø225	45.0	1050 x 250 x 250	54.0**
5516A801/WCBF x KN 10		KN 10			925	Ø225	56.0	1130 x 250 x 250	65.0**
5516A1005/WCBF x KN 10	4	KN 10	350	175	930	Ø225	75.0	1155 x 250 x 250	86.0**
5516A1001/WCBF x KN 25		KN 25			1012	Ø260	89.0	1237 x 285 x 285	90.0**
5516A1505/WCBF x KN 10	6	KN 10	480	225	988	Ø225	103.0	1263 x 250 x 250	110.0**
5516A1501/WCBF x KN 25		KN 25			1070	Ø260	107.0	1345 x 285 x 285	120.0**

Note: * Weight of cardboard + PUF Box Packing. Which may change for Export when packed in wooden box.** Weight of Wooden Box Packing.

Note:

Technical specifications, details & dimensions are subject to change without prior notice. Dimensions in the table are approximate subject to final confirmation by AVCON.