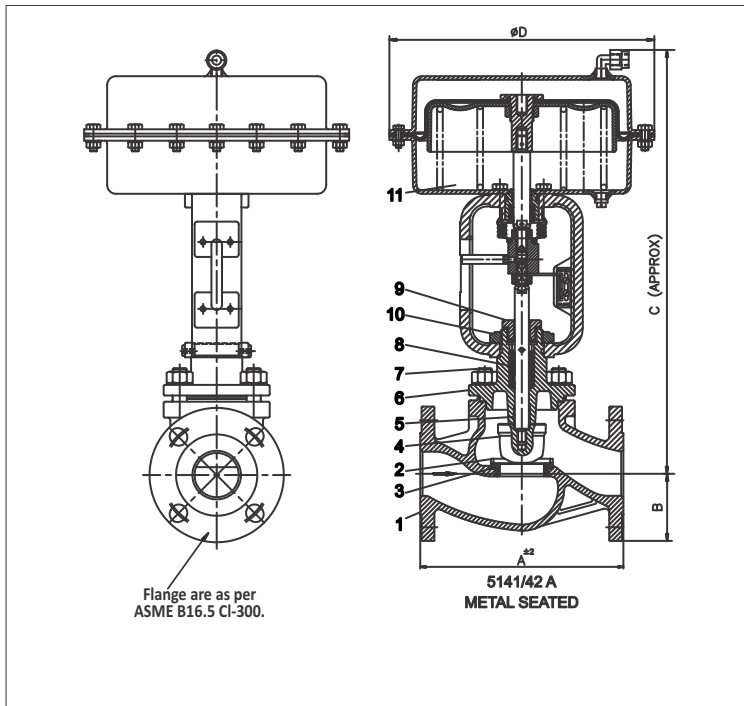


## IBR 2/2 WAY PNEUMATIC CONTROL VALVES WITH MULTI SPRING DIAPHRAGM ACTUATOR.



### BILL OF MATERIAL

Item	Parts	Material
1	Body	SS ASTM A351CF8/CF8M CS ASTM A216, Gr. WCB
2	Seat	SS AISI 420
3	Gasket	Cr.Ni Foil coated with graphite.
4	Plug	SS AISI 420
5	Duro Bush	PTFE Lined & coated, SS backed.
6	Bonnet	SS ASTM A351CF8/CF8M CS ASTM A 216, Gr. WCB
7	Studs/ Nuts	IS 1363, ASTM A193, Gr.B7 IS 1363, ASTM A 194, Gr.2H
8	Gland Packing	Graphited PTFE
9	Gland Nut	SS AISI 304
10	Yoke Nut	CS ASTM A216, Gr. WCB
11	Actuator	Multi Spring $\diamond$ Pneumatic Diaphragm.

$\diamond$  Refer to actuator leaflet for details of components.

### TECHNICAL DATA TABLE

Valve Size in mm	15	20	25	40	50	65	80	100
Port Sizes 2-way	18	22	25	40	50	65	80	100
Kv. M <sup>3</sup> /hr.	4	6.3	10	25	40	63	100	160
Travel	20	20	20	20 30	30	30	30	30
Actuator MSD	250	250	250	250 400	400	400	800	800

### DIMENSIONS (IN MM)

Catalogue Number	Size Inch	Pneumatic Actuator	A	B	C	ØD	Wt. Kg. (Approx.)	Envelope Size LxHxW (Approx.)	Box Wt. Kg. (Approx.)
5141/5142A155 x 250	½	250	152	44.5	370	250	13	465 x 275 x 275	16.0*
5141/5142A205 x 250	¾	250	178	49	370	250	14	470 x 275 x 275	17.0*
5141/5142A255 x 250	1	250	203	54	401	250	16	505 x 275 x 275	21.0*
5141/5142A405 x 250	1 ½	250	229	63.5	414	250	18.5	528 x 275 x 275	26.0*
5141/5142A405 x 400	1 ½	400	229	63.5	456	300	18.5	570 x 325 x 325	35.5*
5141/5142A505 x 400	2	400	267	76	465	300	25.5	591 x 325 x 325	42.0*
5141/5142A655 x 400	2 ½	400	292	89	485	300	30.5	624 x 325 x 325	53.5**
5141/5142A805 x 800	3	800	318	95.5	665	405	81.0	811 x 430 x 430	101.0**
5141/5142A1005 x 800	4	800	356	114.5	672	405	91.0	837 x 430 x 430	111.0**

Note:

\* Weight of cardboard + PUF Box Packing. Which may change for Export when packed in wooden box.

\*\* Weight of Wooden Box Packing.

### Note:

Technical specifications, details & dimensions are subject to change without prior notice. Dimensions in the table are approximate subject to final confirmation by AVCON.

Ed. 5141/42A-01-2016