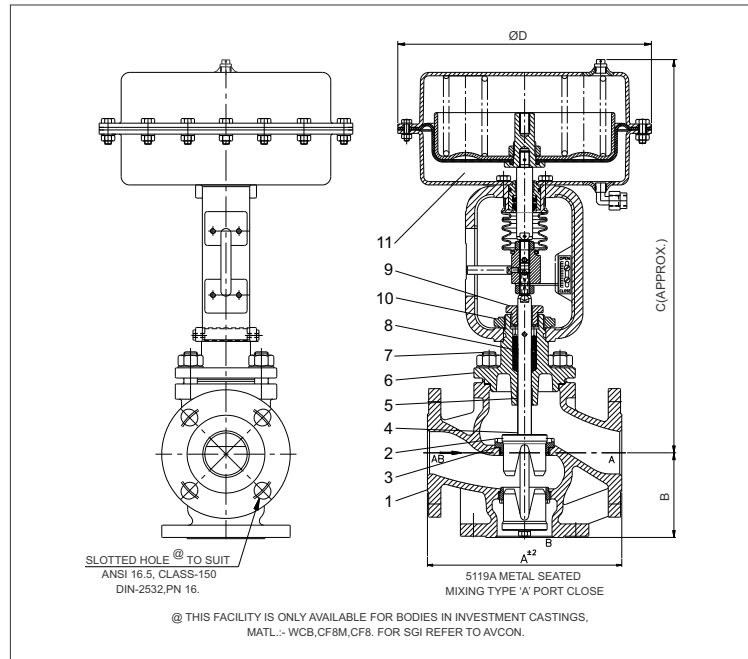


3/2 WAY PNEUMATIC CONTROL VALVES WITH MULTI SPRING DIAPHRAGM ACTUATOR (19).

BILL OF MATERIAL

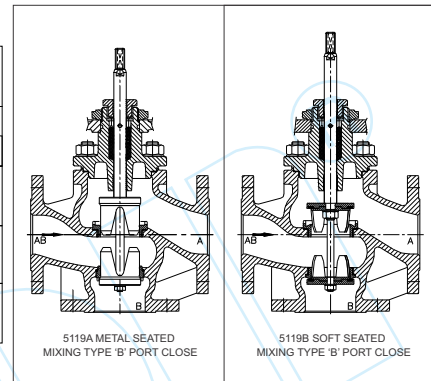
Item	Parts	Material
1	Body	SS ASTM A351CF8/CF8M
		CS ASTM A216, Gr. WCB
		SGI.
2	Seat	SS AISI 420/ SS AISI 316
3	Gasket	Cr.Ni Foil coated with graphite
4	Plug	SS AISI 420/ SS AISI 316
5	Duro Bush	PTFE Lined & coated, SS backed.
6	Bonnet	SS ASTM A351CF8/CF8M
		CS ASTM A 216, Gr. WCB
		SGI
7	Studs / Nuts	IS 1363, ASTM A193, Gr.B7
		IS 1363, ASTM A 194, Gr.2H
8	Gland Packing	Graphited PTFE
9	Gland Nut	SS AISI 304
10	Yoke Nut	CS ASTM A216, Gr. WCB
11	Actuator	Multi Spring Pneumatic Diaphragm.

◆ Refer to actuator leaflet for details of components.



TECHNICAL DATA TABLE

Valve size in mm		20	25	40	50	65	80	100	150	
5119 Mixing	Port size Dim. in mm	Upper 'A' Port	21	27	40	50	65	80	101	140
		Lower 'B' Port	25	27	40	50	65	75	101	140
	Kv. M ³ /hr.		6.3	10	25	40	63	100	160	320
Travel		20	20	20 30	30	30	30	30	30	
Actuator MSD		250	250	250 400	400	400	800	800	800	



DIMENSIONS (IN MM)

Catalogue Number	Size	Pneumatic Actuator	A	B	C	ØD	Wt.Kg. (Approx.)	Envelope Size LxHxW (Approx.)	Box Wt. Kg. (Approx.)
	Inch								
5119A/B205 x 250	3/4	250	150	70	390	250	14.0	510 x 275 x 275	17.5*
5119A/B255 x 250	1	250	160	75	421	250	16.0	546 x 275 x 275	21.5*
5119A/B405 x 250	1½	250	200	90	434	250	22.0	574 x 275 x 275	27.0*
5119A/B405 x 400	1½	400	200	90	476	300	28.0	616 x 325 x 325	34.0*
5119A/B505 x 400	2	400	230	100	485	300	32.0	635 x 325 x 325	45.0*
5119A/B655 x 400	2½	400	290	145	505	300	40.5	700 x 325 x 325	55.0**
5119A/B805 x 800	3	800	310	155	695	405	85.0	900 x 430 x 430	105.0**
5119A/B1005 x 800	4	800	350	175	702	405	96.0	927 x 430 x 430	116.0**
5119A/B1505 x 800	6	800	480	225	1025	405	150.0	1300 x 430 x 430	181.0**

Note:

* Weight of cardboard + PUF Box Packing, Which may change for Export when packed in wooden box.

** Weight of Wooden Box Packing.

Note:

Technical specifications, details & dimensions are subject to change without prior notice.

Dimensions in the table are approximate subject to final confirmation by AVCON.