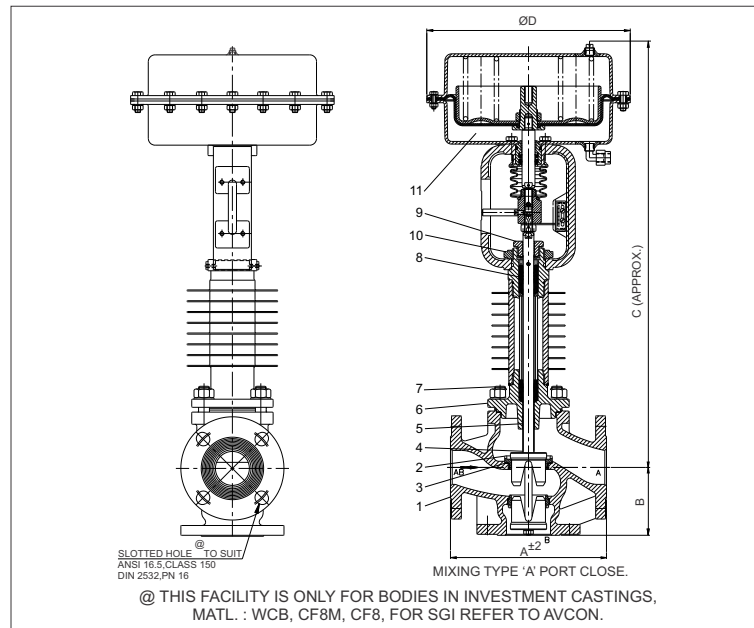


## 3/2 WAY FINNED BONNET (WCBF) PNEUMATIC CONTROL VALVES WITH MULTI SPRING DIAPHRAGM ACTUATOR (19).

### BILL OF MATERIAL

Item	Parts	Material
1	Body	SS ASTM A351CF8/CF8M
		CS ASTM A216, Gr. WCB
		SGI.
2	Seat	SS AISI 420/ SS AISI 316
3	Gasket	Cr.Ni Foil coated with graphite
4	Plug	SS AISI 420/ SS AISI 316
5	Duro Bush	PTFE Lined & coated, SS backed.
6	Bonnet	SS ASTM A351CF8/CF8M
		CS ASTM A 216, Gr. WCB
		SGI
7	Studs / Nuts	IS 1363, ASTM A193, Gr.B7
		IS 1363, ASTM A 194, Gr.2H
8	Gland Packing	Graphited PTFE
9	Gland Nut	SS AISI 304
10	Yoke Nut	CS ASTM A216, Gr. WCB
11	Actuator	Multi Spring Pneumatic
		Diaphragm.

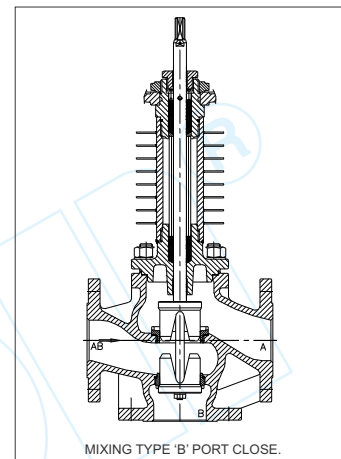
◆ Refer to actuator leaflet for details of components.



@ THIS FACILITY IS ONLY FOR BODIES IN INVESTMENT CASTINGS, MATL. : WCB, CF8M, CF8, FOR SGI REFER TO AVCON.

### TECHNICAL DATA TABLE

Valve size in mm		20	25	40	50	65	80	100	150	
5119 Mixing	Port size Dim. in mm	Upper 'A' Port	21	27	40	50	65	80	101	140
		Lower 'B' Port	25	27	40	50	60	75	101	140
	Kv. M <sup>3</sup> /hr.		6.3	10	25	40	63	100	160	320
Travel		20	20	20 30	30	30	30	30	30	
Actuator MSD		250	250	250 400	400	400	800	800	800	



### DIMENSIONS (IN MM)

Catalogue Number	Size	Pneumatic Actuator	A	B	C	ØD	Wt.Kg. (Approx.)	Envelope Size LxHxW (Approx.)	Box Wt. Kg. (Approx.)
	Inch								
5119A205/WCBF x 250	3/4	250	150	70	445	250	14.5	565 x 275 x 275	18.0*
5119A255/WCBF x 250	1	250	160	75	500	250	16.5	625 x 275 x 275	22.5*
5119A405/WCBF x 250	1½	250	200	90	514	250	23.0	654 x 275 x 275	28.0*
5119A405/WCBF x 400	1½	400	200	90	600	300	30.0	740 x 325 x 325	38.0*
5119A505/WCBF x 400	2	400	230	100	615	300	35.0	765 x 325 x 325	46.0*
5119A655/WCBF x 400	2½	400	290	145	635	300	44.0	830 x 325 x 325	58.5**
5119A805/WCBF x 800	3	800	310	155	865	405	89.0	1070 x 430 x 430	105.0**
5119A1005/WCBF x 800	4	800	350	175	872	405	101.0	1097 x 430 x 430	112.0**
5119A1505/WCBF x 800	6	1600	480	225	1015	405	118.0	1290 x 430 x 430	130.0**

Note: \* Weight of cardboard + PUF Box Packing, Which may change for Export when packed in wooden box. \*\* Weight of Wooden Box Packing.

#### Note:

Technical specifications, details & dimensions are subject to change without prior notice. Dimensions in the table are approximate subject to final confirmation by AVCON.