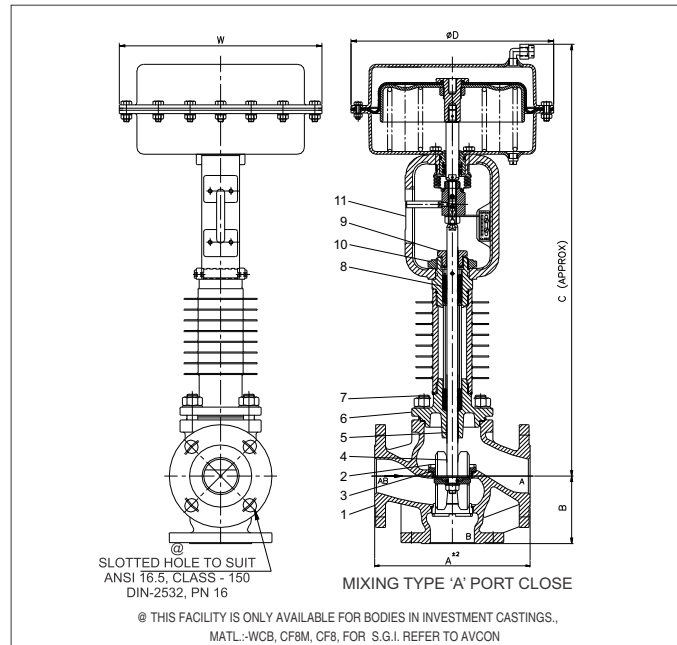


3/2 WAY FINNED BONNET (CSF) PNEUMATIC CONTROL VALVES WITH MULTI SPRING DIAPHRAGM ACTUATOR (16).

BILL OF MATERIAL

Item	Parts	Material
1	Body	SS ASTM A351CF8/CF8M
		CS ASTM A216, Gr. WCB
		SGI
2	Seat	SS AISI 420/ SS AISI 316
3	Gasket	Cr.Ni Foil coated with graphite
4	Plug	SS AISI 420/ SS AISI 316
5	Duro Bush	PTFE Lined & coated, SS as backed.
6	Bonnet	SS ASTM A351CF8/CF8M
		CS ASTM A216, Gr. WCB
		SGI
7	Studs/ Nuts	IS 1363, ASTM A193, Gr.B7
		IS 1363, ASTM A 194, Gr.2H
8	Gland Packing	Graphited PTFE
9	Gland Nut	SS AISI 304
10	Yoke Nut	CS ASTM A216, Gr. WCB
11	Actuator	Multi Spring* Pneumatic Diaphragm.

* Refer to actuator leaflet for details of components.



TECHNICAL DATA TABLE

Valve size in mm		20	25	40	50	65	80	100
5116 Mixing	Port size	21	27	40	50	65	80	101
	Dim. in mm	25	27	40	50	60	75	101
	Kv. M ³ /hr.	6.3	10	25	40	63	100	160
Travel		20	20	20 30	30	30	30	30
Actuator MSD		250	250	250 400	400	400	800	800

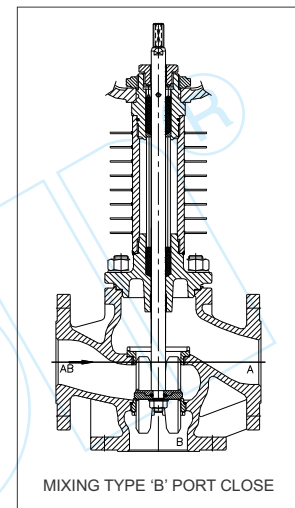
DIMENSIONS (IN MM)

Catalogue Number	Size Inch	Pneumatic Actuator	A	B	C	ØD	W	Wt.Kg. (Approx.)	Envelop Size LxHxW (Approx.)	Box Wt. Kg. (Approx.)
5116A 205/CSF	3/4	250	150	70	445	250	250	14.5	540 x 275 x 275	18.0*
5116A255/CSF	1	250	160	75	500	250	250	16.5	600 x 275 x 275	22.5*
5116A355/CSF	1 ½	250	200	90	514	250	250	23.0	634 x 275 x 275	28.0*
5116A365/CSF	1 ½	400	200	90	600	350	350	30.0	725 x 380 x 380	38.0*
5116A505/CSF	2	400	230	100	615	350	350	35.0	750 x 380 x 380	46.0*
5116A655/CSF	2 ½	400	290	120	635	350	350	44.0	795 x 380 x 380	58.5*
5116A805/CSF	3	800	310	130	865	405	405	89.0	1035x450x450	105.0**
5116A1005/CSF	4	800	350	150	872	405	405	101.0	1065x450x450	112.0**

Note:

* Weight of cardboard + PUF Box Packing, Which may change for Export when packed in wooden box.

** Weight of Wooden Box Packing.



Note:

Technical specifications, details & dimensions are subject to change without prior notice.

Dimensions in the table are approximate subject to final confirmation by AVCON.