

# 2 Way Damper Type Butterfly Valves with Electric Rotary Actuators

Wafer Type Low Leakage Design

DATA SHEET  
4527 A  
4528 A

- SPECIFICATIONS** Design as per ISO/DIS10631.
- Sizes : 50 mm (2") to 600 mm (24").
  - Face to Face : ISO 5752.
  - Testing & Inspection : In accordance to EN-12266-Part-1.
  - Pressure Temp. Rating. : As per ANSI Class 150.
  - Pressure Rating : Body- ANSI Class 150.
  - Bodies : CI-ASTM-126-04 Class-B,
  - Shaft : SS AISI 410/420.
  - Disc : CI-ASTM-126-04 Class-B,  
SS-ASTM-A-351-CF8.
  - Seating : Metal to Metal (Low leakage).
  - Shaft Packing : PTFE, Carbosuper Rope.
  - End Connections : Suitable for holding between the  
flanges of ANSI CI 150 FF.
  - Leakage : Low leakage.
  - Characteristic : On-Off.
  - Actuator : Rotary Electric Actuator (90°±1.5°).
  - Electric supply : 230 Volts A.C. only for actuator  
can be used with on-off,  
anticipatory, PI & PID control  
system.
  - Manual Operation : Through hand wheel / hand lever.
  - Accessories : Potentiometer, additional limit  
switches etc.
- ACTUATOR** : Refer to Specification table, For  
further details of Actuators,  
refer to Actuator leaflet.

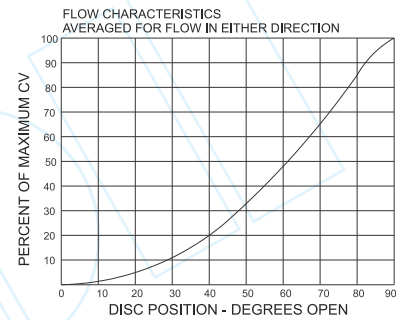
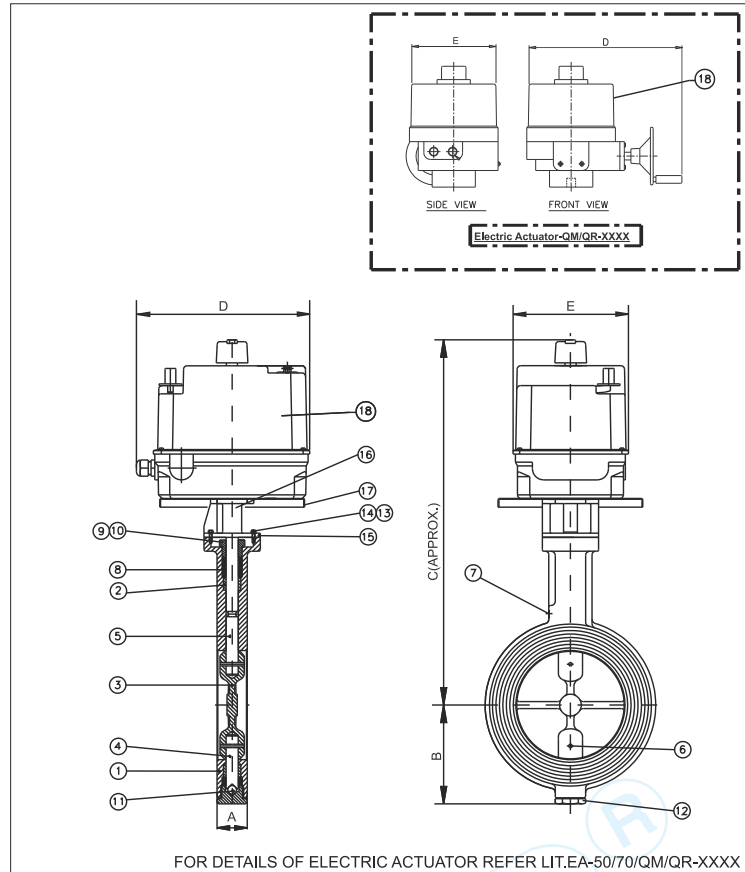
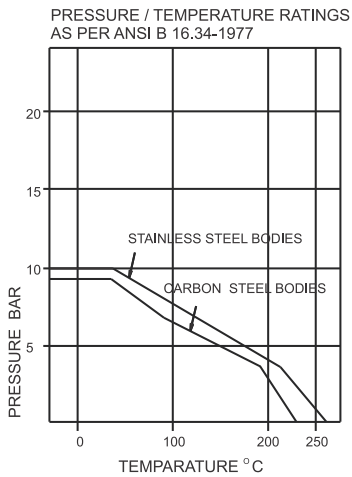


- Sales Point** : Highly reliable & maintenance  
free valve. Available for high  
temperature gases. For 4527A  
temperature is >200°C ≤400°C  
and for 4528A temperature is  
> 400°C ≤ 600°C.
- Applications** : For Air, Gas, in Combustion  
Equipments for providing control  
over air/ gas etc.

Catalogue Number	Size		Orifice Size mm	Flow Factor Kv. M <sup>3</sup> /hr.	Leakage %	Safe Working Body Pressure Bar	Working Pressure Bar	Actuator Type	Approx. Opening & Closing Time Seconds	Power Consumption Watts
	Inch	mm								
4527A50 x EA-50 4528A50 x EA-50	2	50	50	110	9.5	10	2.0	EA-50	30	18
4527A65 x EA-50 4528A65 x EA-50	2 ½	65	65	172	9.0	10	2.0	EA-50	30	18
4527A80 x EA-50 4528A80 x EA-50	3	80	76	248	8.2	10	2.0	EA-50	30	18
4527A100 x EA-50 4528A100 x EA-50	4	100	101	440	5.6	10	2.0	EA-50	30	18
4527A125 x EA-50 4528A125 x EA-50	5	125	126	866	5.0	10	2.0	EA-50	30	18
4527A150 x EA-50 4528A150 x EA-50	6	150	152	993	4.0	10	2.0	EA-50	30	18
4527A200 x EA-70 4528A200 x EA-70	8	200	200	1765	3.5	10	1.5	EA-70	30	18
4527A250 x EA-70 4528A250 x EA-70	10	250	250	2758	3.2	10	1.5	EA-70	30	18
4527A300 x QM/QR-100 4528A300 x QM/QR-100	12	300	300	3972	2.7	10	1.5	QM/QR-100	22	40
4527A350 x QM/QR-100 4528A350 x QM/QR-100	14	350	336	4826	2.0	10	1.5	QM/QR-100	22	40
4527A400 x QM/QR-150 4528A400 x QM/QR-150	16	400	387	6403	1.3	10	1.0	QM/QR-150	22	40
4527A450 x QM/QR-150 4528A450 x QM/QR-150	18	450	438	8202	1.0	10	1.0	QM/QR-150	22	40
4527A500 x QM/QR-250 4528A500 x QM/QR-250	20	500	478	10224	0.8	10	1.0	QM/QR-250	22	60
4527A600 x QM/QR-250 4528A600 x QM/QR-250	24	600	590	14884	0.5	10	1.0	QM/QR-250	22	60

## BILL OF MATERIAL

Item	Parts	Material
1	Body	Cast Iron
2	Bearing Bush	AISI 410 with Nitriding
3	Flapper	Cast Iron, SS304.
4	Stub Shaft	SS AISI 410/420.
5	Drive Shaft	SS AISI 410/420
6	Cotter Pin	EN 8
7	Locking Screw	SS AISI 304
8	Gland Packing	Teflon, Carbosuper.
9	Gland	MS IS 2062
10	Allen Screw	IS 2269
11	Solid Ball	SS-304
12	Blind Nut	MS IS 2062
13	Plain Washer	IS 4072
14	Hex. Bolt	IS 1363
15	Bracket	EN 8
16	Adaptor	SS 410/MS
17	Disc	MS IS 2062 / Cast
18	Electric Actuator	Refer Specification Table



## DIMENSIONS IN MM

Catalogue Number	Size		A	B	◇C	D	E	Weight Kgs. (Approx.)
	Inch	mm						
4527A/28A 50 x EA-50	2	50	27	62	345	200	130	11.0
4527A/28A65 x EA-50	2 ½	65	25	85	375	200	130	12.0
4527A/28A 80 x EA-50	3	80	30	90	395	200	130	12.5
4527A/28A 100 x EA-50	4	100	30	102	415	200	130	14.0
4527A/28A 125 x EA-50	5	125	35	115	430	200	130	15.5
4527A/28A 150 x EA-50	6	150	35	127	440	200	130	17.0
4527A/28A 200 x EA-70	8	200	35	160	480	200	130	20.0
4527A/28A 250 x EA-70	10	250	40	200	660	200	130	26.0
4527A/28A 300 x QM/QR-100	12	300	45	220	700	326	181	29.0
4527A/28A 350 x QM/QR-100	14	350	50	260	700	326	181	31.0
4527A/28A 400 x QM/QR-150	16	400	50	277	770	326	181	35.0
4527A/28A 450 x QM/QR-150	18	450	50	300	775	326	181	39.0
4527A/28A 500 x QM/QR-250	20	500	55	340	830	326	181	42.0
4527A/28A 600 x QM/QR-250	24	600	64	410	900	326	181	47.0

◇ Height changes as per High-low temperature. \* OPEN TOLERANCE ± 3 ALL OVER \* Weight given only Cast Iron Valves.

### Note:

Technical specifications, details & dimensions are subject to change without prior notice. Dimensions in the table are approximate subject to final confirmation by AVCON.