

'Avcon' Butterfly Valve Type 4524LXX

Low Leakage, Swing Through Design.

DATA SHEET
BFV - 4524 L

FEATURES

Sturdy Cast Iron Construction; Flanged to ASA 150RF, Stainless Steel Butterfly Disc for temperature upto 2000C.
Working pressure upto 500 mbar, fitted with our 'Newest Electric Actuator' Model KN-1.8/D or E/MA/ZC. Now can be offered in 230V, 115V or 24Volts, 50/60 Cys. design, with One or Two Potentiometers, Additional Limit Switches 4 to 20 mA or 0(2) to 10V DC or 135 ohms interface Controller Cards.

For use on Furnace, Ovens, Boilers, Kilns, Tunnel Kilns and many type of Combustion System for Oil and Gas firing.

VALVE

Body : Cast Iron Casting to IS-210 Gr-20.
Flapper : Stainless Steel 304
Shaft : Stainless Steel 410
Seals : Composite Packings
Joining Platform : Steel fabricated.
Linkages : CD 9022 adjustable, Special butterfly linkages.

ACTUATOR

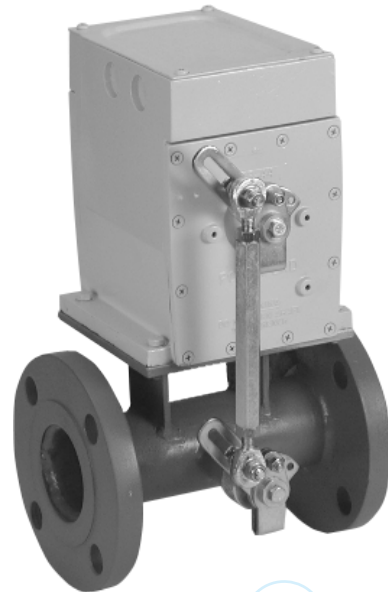
Type : KN-1.8/D or E/MA/ZC
Torque : 1.8 Nm
Breakaway Torque : 2.5Nm
Standard Supply : 230V 50Hz AC, (Available 110V or 24V).
Motor : 10VA
Current approx. 230VAC : 40mA
Time for 900C rotation : 30 seconds approx.
Gear train : Steel gears, Induction hardened and oil immersed.

ACTUATOR MODELS AVAILABLE

KN-1.8/D : 2 - Position Control
KN-1.8/E : With 500 Ohms Potentiometer Standard
Optional : 135, 1000 or 2000 Ohms
KN-1.8/E/MA : 4 to 20 mA card.
KN-1.8/E/V : 2 to 10V card.
KN-1.8/E/ZC : 135 Ohms Error balancing Relay Card
KN-1.8/MA/RPT : 4 to 20 mA Interface Card with 4 to 20 mA Output card.
KN-1.8/E/RPT : 4 to 20 mA Output Card for Remote Position Indicator.
For actuator details : Refer to Data Sheet KN-1.8

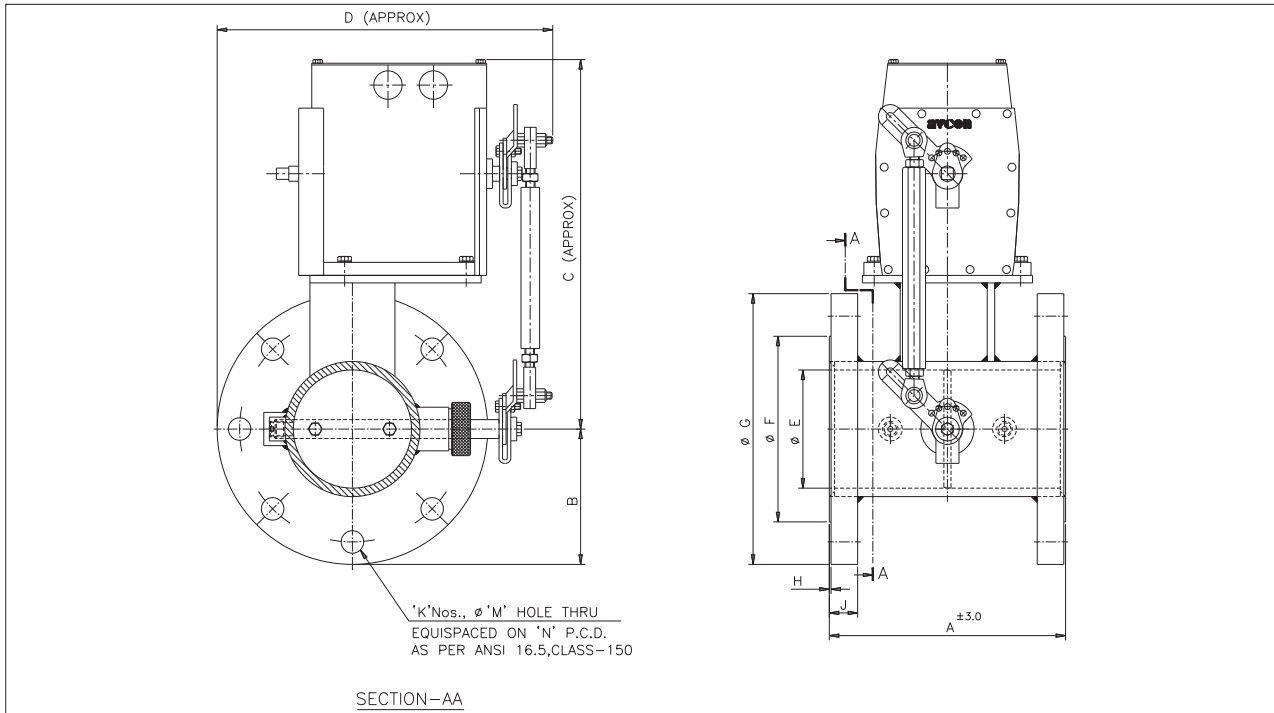
OTHER ACCESSORIES

Dual potentiometer, One or Two limit switches



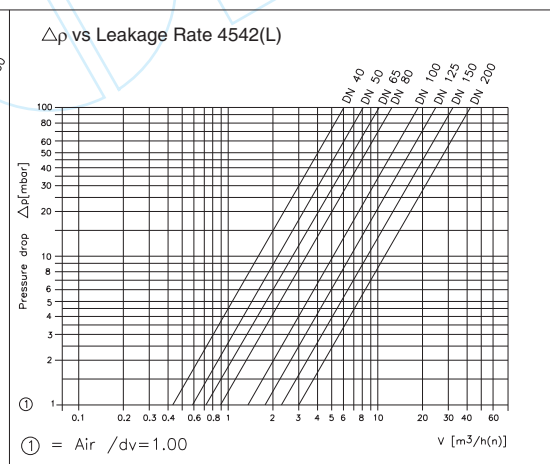
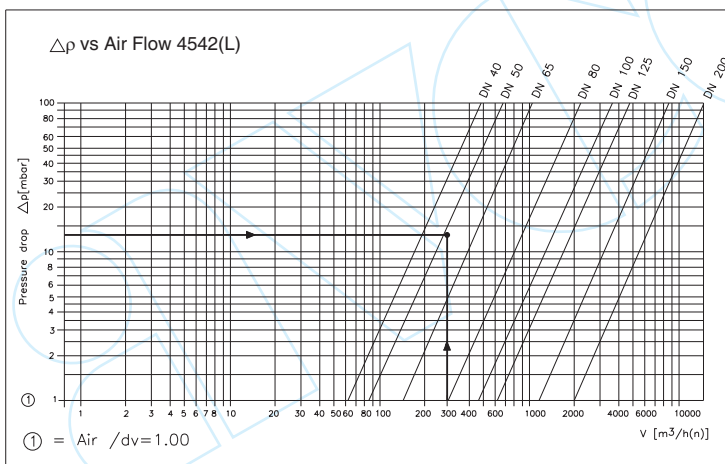
SPECIFICATION TABLE

Catalogue Number	Size		Kv. Nm ³ /hr at Pressure drop 1 bar	Working Pressure	Safe Body Pressure	Actuator Type	Time full open to full close.
	Inch	mm		mbar	bar	No.	Secs. approx
4524 L 40	1½	40	62	500	6	KN - 1.8	30
4524 L 50	2.0	50	103	500	6	KN - 1.8	30
4524 L 65	2½	65	150	500	6	KN - 1.8	30
4524 L 80	3.0	80	320	500	6	KN - 1.8	30
4524 L 100	4.0	100	530	500	6	KN - 1.8	30
4524 L 125	5.0	125	720	500	6	KN - 1.8	30
4524 L 150	6.0	150	1250	500	6	KN - 1.8	30
4524 L 200	8.0	200	2060	500	6	KN - 1.8	30



DIMENSION (IN MM)

Catalogue Number	Paper Size Inch	A	B	C	D	E	F	G	H	J	K	M	N	Weight kgs (Approx)
4524 L 40	1½	200	63.5	260	234	40	73	127	1.5	14	4	16	98	10
4524 L 50	2.0	200	76	270	234	50	92	152	1.5	16	4	19	121	12
4524 L 65	2½	200	89	285	234	65	105	178	1.5	17.5	4	19	140	15
4524 L 80	3.0	200	95.5	300	245	80	127	191	1.5	19	4	19	152	17
4524 L 100	4.0	200	114.5	315	275	100	157	229	1.5	24	8	19	191	21
4524 L 125	5.0	200	127	325	300	125	164	254	1.5	24	8	22	216	25
4524 L 150	6.0	200	139.5	335	335	150	216	279	1.5	25	8	22	241	26
4524 L 200	8.0	200	171.5	350	390	200	270	343	1.5	29	8	22	298	32



Note:

Technical specifications, details & dimensions are subject to change without prior notice.
Dimensions in the table are approximate subject to final confirmation by AVCON.