

'AVCON' 2-Way Tight Shut Off Butterfly Valves with Quarter Turn Pneumatic Actuators

DATA SHEET
BFV-4326 B

(Wafer Type, Double Eccentric, High Performance Design)

SPECIFICATIONS

Design Wafer Type as per ASME16.34 & API 609.

- Sizes : 50mm (2") to 300mm (12").
 - Face to Face : API 609.
 - Testing & Inspection : BS-EN-12266-1, MSS-SP-61, API 598.
 - Pressure Temp.Rating. : As per ASME 16.34 Class 150.
 - Pressure Rating : Body- ASME 16.34 Class 150 & 300 holding between flanges.
 - Bodies : CS-ASTM A216 WCB (DIN 1.0619) (GS -C-25) SS- ASTM A351CF8M (DIN 1.4408)(GX6 Cr.Ni. MO1810) SS- ASTM A351CF8 (DIN 1.4301)
 - Shaft : ASTM A511 Gr. TP 410
 - Disc : SS-ASTM A351CF8 or CF8M.
 - Seating : Soft-Seated BN, EPDM, Teflon, Viton.
 - Stem Packing : PTFE
 - End Connection : Suitable for holding between the flanges of ASME B16.5 Cl. 150.
 - Leakage : Tight shut-off.
 - Characteristic : On-Off.
 - Actuator : Double Acting-'D' Single Acting- 'S'
 - Pneumatic supply Pres.: For Double Acting Actuator - signal pressure-4 to 8.5 bar. For Spring Return Actuator - signal pressure-5.5 to 8.5 bar(use AVCON Namur Solenoid valve)
 - Manual Operation : Can be provided as additional feature.
 - Accessories : Air Lock Relay, Valve Positioner (P to P), Valve Positioner(E to P), Positioner Indicator, Rotary Limit Switches, Proximity Switches, Solenoid Valves etc.
- ACTUATOR** : Refer to Specification table, For further details of Actuators, refer to Actuator leaflet.

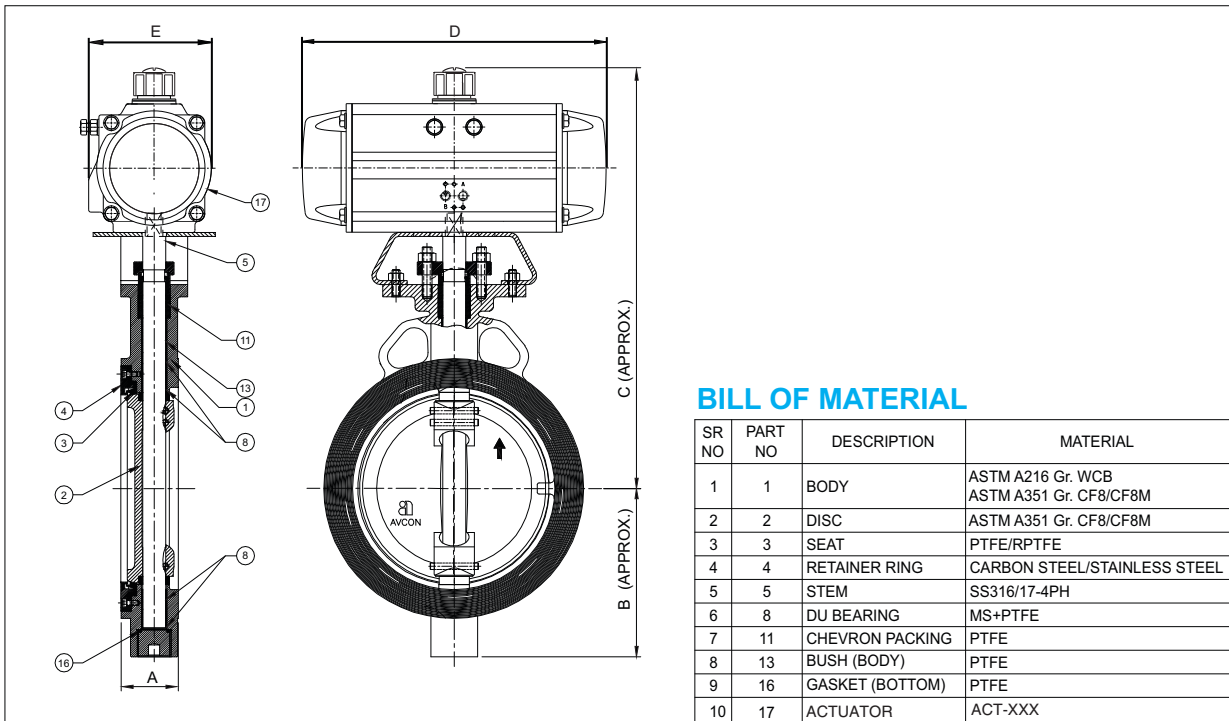


- Sales points** : Highly reliable, long life, simple in construction and maintenance free valve. Investment casted / machine moulded Body and Disc, Machined on In-House CNC Machining facility. Ensures easy replacement of components. Field Proven, highly reliable Valve and Actuator combination.
- Application** : For Air, Water, Oil, Gas, some Chemicals, Low pressure steam. Valve can be used on Combustion Equipments, Power Stations, Chemicals, Petro-chemicals, Pharmaceuticals and Textile Process Industries, Water Treatment, ROP systems etc.

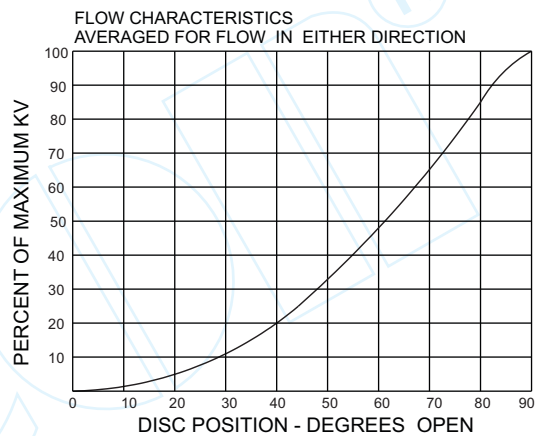
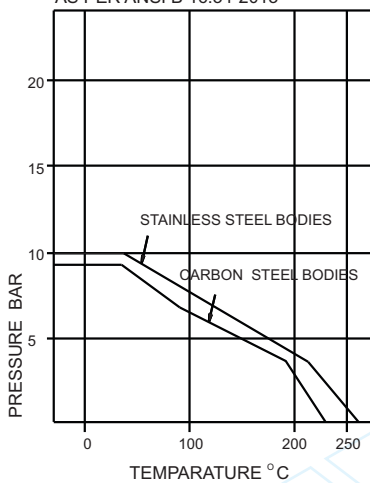
SPECIFICATION TABLE

Catalogue Number	Size		Orifice Size	Flow Factor Kv.	Safe Working Body Pressure	Working Pressure	Actuator Model		Opening Time		Air consumption			
											Litres			
	Inch	mm	mm	M ³ /hr.	Bar	Bar	Double	Single	Double	Single	To Open	To Close		
4326B50 x ACT-63D/ACT-90S	2	50	52	90	15	10	ACT-63	ACT-90	0.3	0.4	0.2	-	0.4	0.8
4326B80 x ACT-90D/ACT-145S	3	80	66	186	15	10	ACT-90	ACT-145	0.4	1.4	0.5	-	1.4	3.8
4326B100 x ACT-90-D/ACT-145S	4	100	88	330	15	10	ACT-90	ACT-145	0.4	1.4	0.5	-	1.4	3.8
4326B125 xACT-90-D/ACT-145S	5	125	125	139	15	10	ACT-90	ACT-145	0.4	1.4	0.5	-	1.4	3.8
4326B150 x ACT90-D/ACT-145S	6	150	132	745	15	10	ACT-90	ACT-145	0.4	1.4	0.5	-	1.4	3.8
4326B200 x ACT145D/ACT-240S	8	200	186	1716	15	10	ACT-145	ACT-240	1.2	4	2.4	-	4.3	15.2
4326B250 x ACT-190D/ACT-240S	10	250	230	2262	15	10	ACT-190	ACT-240	1.5	4	4.3	-	4.3	21.4
4326B300 x ACT-190D/ACT-270S	12	300	286	3498	15	10	ACT-190	ACT-270	1.5	4.3	4.3	-	4.3	21.4

Note: For regulating duty disc can only be positioned between 20° to 70° opening for controlling



PRESSURE / TEMPERATURE
AS PER ANSI B 16.34-2013



DIMENSIONS IN MM

Catalogue Number	Size		A	B	C		D		E		Wt Kgs. (Approx.)	
	Inch	mm			Double	Single	Double	Single	Double	Single	Double	Single
4326B50 x ACT-63D/ACT-90S	2	50	43	69.5	260	295	173	260	82	104	10.0	13.0
4326B80 x ACT-90D/ACT-145S	3	80	48	80	335	405	260	421	104	168	12.0	22.0
4326B100 x ACT-90-D/ACT-145S	4	100	54	110	360	425	260	421	104	168	15.5	23.5
4326B125 x ACT-90-D/ACT-145S	5	125	57	130.5	360	425	260	421	104	168	15.5	23.5
4326B150 x ACT-90-D/ACT-145S	6	150	57	152	415	465	260	421	104	168	30.0	48.0
4326B200 x ACT-145D/ACT-240S	8	200	64	174	535	675	421	691	168	276	40.0	117.0
4326B250 x ACT-190D/ACT-240S	10	250	71	209.5	650	830	550	691	215	355	78.0	122.0
4326B300 x ACT-190D/ACT-270S	12	300	81	242	690	875	550	773	215	355	95.0	186.0

- OPEN TOLERANCE ± 3 ALL OVER
- * Weight given only WCB Valves.

Note:

Technical specifications, details & dimensions are subject to change without prior notice. Dimensions in the table are approximate subject to final confirmation by AVCON.