

2/2-Way Pneumatic, Straight Body Valve with Cylinder Actuator for On-Off Application.

DATA SHEET
5612 G
5622 G

SPECIFICATIONS:

Sizes : 25mm (1") to 100 mm (4").

CONSTRUCTION:

Body and bonnet : SG Iron IS-1865-400/15A. Cast Steel ASTM A216 Gr. WCB, St. St. ASTM A351 CF8 (SS304), or ASTM A351 CF8M (SS316).

Press. Temp. Rating : As per ANSI B 16.5 Cl. 150.

End connection : Flanged as per ANSI B 16.5 Cl. 150.

Design Standard : As per ASME B 16.34.

Face to Face : As per DIN-3202 Part I Series F1.

Testing Standard : As per IS-6157-1981.

Trim : St. St. AISI 304/316 Ground and hardchrome plated.

Stem packing : Self adjusting, Spring loaded, Teflon packing.

Plug and Seat : St. St. 304 or 316.

Seating : Soft seated Teflon backed by EPDM. Optional-VITON/EPDM, Buna Nitrile.

Leakage : Soft seated Class VI, as per ANSI B16. 104-1976.

Characteristics : On-Off, normally close and normally open.

Working Fluid Pr. : Refer to table below.

Working Temp. : On Steam-continuous 155°C, Intermittent 180°C, with PTFE seating Buna Nitrile 80°C, EPDM 135°C, VITON 180°C.

ACTUATOR:

Spring return type pneumatic Cylinder Actuator.

Cylinder / Cover : Stainless Steel ASTM A351 (CF8).

Piston : Stainless Steel ASTM A351 (CF8).

Piston Packing : Buna Nitrile.

Actuator Spring : IS 4454 Grade III, duly painted.

Act. Wkg. Pres. : 3.5 to 7.5 Bar (refer to graph)

(Signal Pressure). inlet pressure depended.

Operating cycles : Upto 50 mm 300 cy/hr, (Tested on air, on other fluids this figure may vary).

For other sizes detail refer to Avcon. Life expectancy : Over one million cycles (lab tested in ideal condition).



Air Quality : Lubricated, filtered and free of moisture shop air or dry instrument quality air.

Maximum operating pressure differential : Refer to graph.

Accessories : Air lock, Indicating limit switch box, Solenoid valves, Filter regulator gauge. Other accessories available on application.

Sales Point : Full ported flanged valve to give maximum flow, long life, simple in construction.

Application : For control of air, water, oil, gas, steam in textile, power generator, paper and pulp, chemical, air dryers PSA nitrogen system, air and air dryers, gas generator and others.

Back Pressure : Suitable upto 2.5 bar.

Instruction manual : Refer to IM 5612/5622. Note : Use of AVCON FRG (Relieving type) set air pressure not more than 5.5 bar.

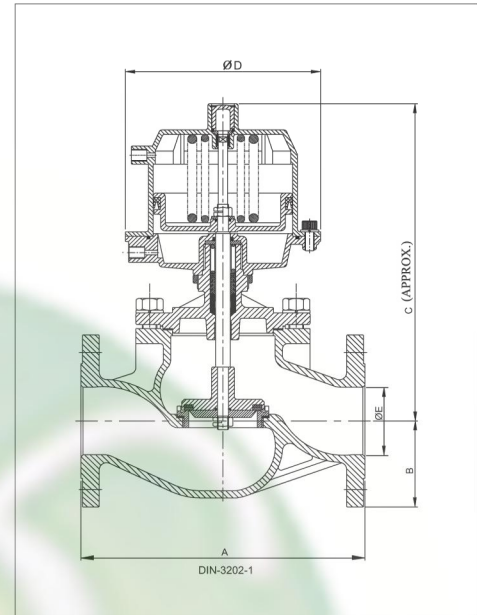
SPECIFICATION TABLE

Catalogue Number	Size		Orifice Size (mm)	Flow Factor Kv (M ³ /hr.)	Max. Working Pressure (bar)	Safe Working Pressure (bar)	Actuator Model (Cy)	Air Consumption (Lit/cys.)
	Inch	(mm)						
5612G255 5622G255	1	25	25	10.5	10 10	16	80	0.250
5612G405 5622G405	1 ½	40	40	23.0	10 10	16	100	0.350
5612G505 5622G505	2	50	50	42.0	10 10	16	125	0.735
5612G655 5622G655	2 ½	65	65	66.5	6 6	16	125	0.735
5612G805 5622G805	3	80	80	95.0	10 8	16	150	0.900
5612G1005 5622G1005	4	100	100	169.0	5 4	16	200	1.200

❖ Solenoid valve type 9354 or 9358B020 (2mm port) recommended only.
❖ Actuator in stainless steel casting

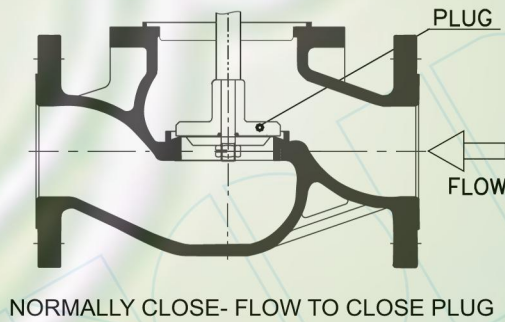
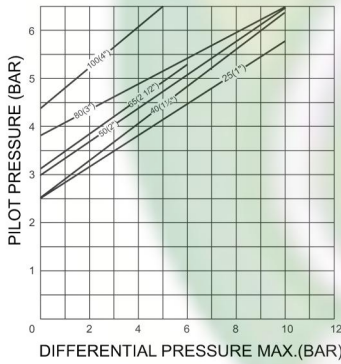
DIMENSIONS IN MM

Catalogue Number	Size		A	B	C	ØD	ØE	Weight kgs.*
	Inch	mm						
5612G255 5622G255	1	25	160	54	276	101.1	25	7
5612G405 5622G405	1 ½	40	200	76	290	110	38	8
5612G505 5622G505	2	50	230	88	300	150	50	19
5612G655 5622G655	2 ½	65	290	89	335	178	65	21
5612G805 5622G805	3	80	310	95.5	343	178	80	28
5612G1005 5622G1005	4	100	350	116	549	240	100	38

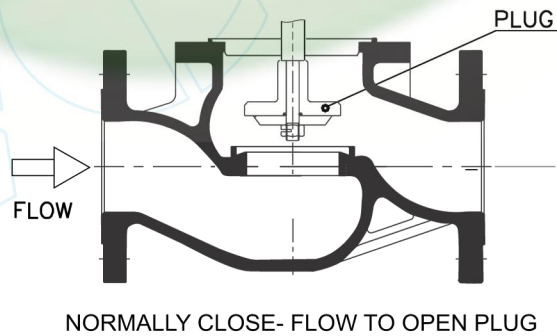
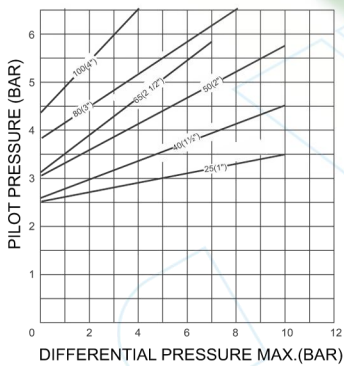


- OPEN TOLERANCE ±3mm ALL OVER
- * WEIGHT GIVEN ONLY STANDARD BONNET, CAST STEEL VALVES

5612G



5622G



Note:

Technical specifications, details & dimensions are subject to change without prior notice. Dimensions in the table are approximate subject to final confirmation by AVCON.