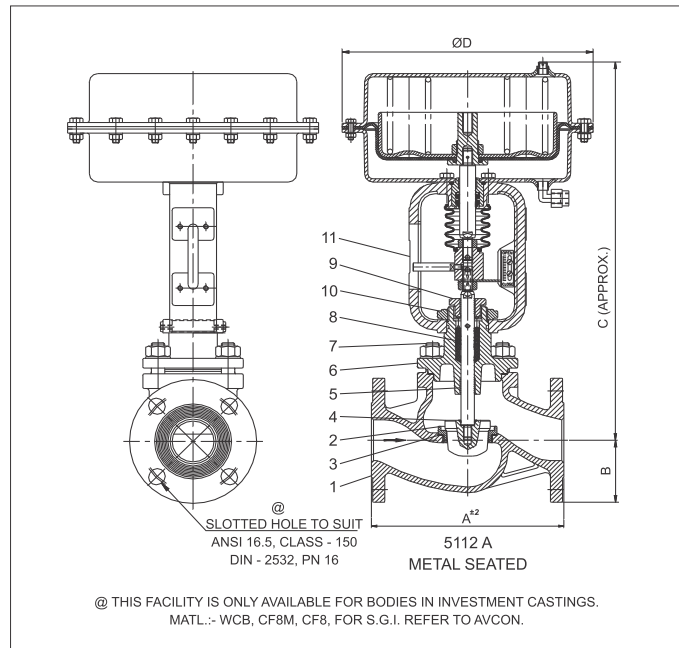


2/2 WAY PNEUMATIC CONTROL VALVES WITH MULTI SPRING DIAPHRAGM ACTUATOR.

BILL OF MATERIAL

Item	Parts	Material
1	Body	SS ASTM A351CF8/CF8M
		CS ASTM A216, Gr. WCB
		SGHS 1865 Grade SG 400/15A
2	Seat	SS AISI 420/ SS AISI 316
3	Gasket	Cr.Ni Foil coated with graphite
4	Plug	SS AISI 420/ SS AISI 316
5	Duro Bush	PTFE Lined & coated,
		SS backed.
6	Bonnet	SS ASTM A351CF8/CF8M
		CS ASTM A 216, Gr. WCB
		SGHS 1865 Grade SG 400/15A
7	Studs/ Nuts	IS 1363, ASTM A193, Gr.B7
		IS 1363, ASTM A 194, Gr.2H
8	Gland Packing	Graphited PTFE
9	Gland Nut	SS AISI 304
10	Yoke Nut	CS ASTM A216, Gr. WCB
11	Actuator	Multi Spring \diamond Pneumatic
		Diaphragm.

\diamond Refer to actuator leaflet for details of components.



TECHNICAL DATA TABLE

Valve Size MM	15	15	15	15	20	20	20	20	25	40	40	50	65	80	100	150
Port Sizes 2-way	3	5	12	18	5	7	12	22	25	25	40	50	65	80	100	150
Kv. M ³ /hr.	0.1	0.16	0.25	4.0	0.4	1.0	1.5	6.3	10	10	25	40	63	100	160	400
Travel	20	20	20	20	20	20	20	20	20	30	30	30	30	30	30	50
Actuator MSD	250	250	250	250	250	250	250	250	250	400	400	400	400	800	800	800

\diamond 5112A are Metal Seated Valves.

\diamond 5112B are Soft Seated valves.

DIMENSIONS (IN MM)

Catalogue Number	Size	Pneumatic Actuator	A	B	C	ØD	Wt. Kg. (Approx.)	Envelope Size LxHxW (Approx.)	Box Wt. Kg. (Approx.)
	Inch								
5112A/B155 x 250	1/2	250	130	44.5	370	250	12.5	465 x 275 x 275	15.5*
5112A/B205 x 250	3/4	250	150	49	370	250	13.5	470 x 275 x 275	16.5*
5112A/B255 x 250	1	250	160	54	401	250	15.5	505 x 275 x 275	20.5*
5112A/B405 x 250	1 1/2	250	200	63.5	414	250	18.0	528 x 275 x 275	25.5*
5112A/B405 x 400	1 1/2	400	200	63.5	456	300	25.0	570 x 325 x 325	35.0*
5112A/B505 x 400	2	400	230	76	465	300	30.0	591 x 325 x 325	41.5*
5112A/B655 x 400	2 1/2	400	290	89	485	300	38.0	624 x 325 x 325	53.0**
5112A/B805 x 800	3	800	310	95.5	665	405	80.0	811 x 430 x 430	100.0**
5112A/B1005 x 800	4	800	350	114.5	672	405	90.0	837 x 430 x 430	110.0**
5112A/B1505 x 800	6	800	480	139.5	970	405	117.0	1160 x 505 x 430	133.0**

Note : * Weight of cardboard + PUF Box Packing. Which may change for Export when packed in wooden box.

** Weight of Wooden Box Packing.

Note:

Technical specifications, details & dimensions are subject to change without prior notice.

Dimensions in the table are approximate subject to final confirmation by AVCON.

