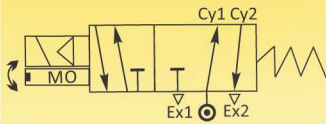


SOLENOID VALVES FOR AUTOMATION

4 - WAY MANIFOLD MOUNTED SOLENOID VALVES

SERIES 482D



NOTE: For your requirement of valves with Flameproof Enclosure, please refer to catalogue no. 9482D.

General Description:

Series 482D062 (2-Valves) to 482D068 (8-valves) one can connect upto 8 valves together, but one has to provide an Accumulator in the beginning of the Inlet of the valves to stop starving of the valves.

End Connection:

'G' –ISO-228 (BSP) & NPT. – ¼" Size only.

Max. Temperature Range:

Working temperature for media is (-)5°C to 80°C with Buna Nitrile parts.

Coil:

Series 482D Solenoid Valves are supplied with Class 'H' insulated (180°C) coils; encapsulated in Thermo Plastic, containing 40% Glass fibre. All coils are for continuous service, 100% duty (E.D). Rated voltage tolerances are +/-10% for all AC power coils; +/-10%/-5% for DC supply. Coils can be used on AC with frequency of 50 Hz.

Installation:

Valves can be mounted in any position except "Inverted", preferable in Horizontal pipeline with magnetic construction in vertical and upright position. Series 482D valves are not designed for Back Pressure coming from downstream side.

Approvals:

IP-65 As per IEC-60529-2001,
Coil: M22-SQ:220/230V 50/60 Hz, 240V 50/60 Hz, 110V 50/60Hz; 24V DC.

Material:

- Valve Body : Standard Extruded Aluminium HE-30 Heat treated body with Black anodizing to prevent atmospheric corrosion.
- Seals(Seating) : Buna Nitrile;
- Tube Nut : Brass extruded tube or SS316.
- Plunger & Stopper : AISI 430FR St.St.
- Spring : AISI302 St.St.
- Shading Ring : For AC: Copper/Al. For DC:No Shading Ring.
- Coil Type : AC-M22-SQ/GP/H, 240/110 V 50 Hz – Rating: 5.5 VA . DC-M22-SQ/GP/H, 24VDC,Rating: 4.0watts.
- Manual Override : Standard
- Application : Valves are very suitable and useful for operating Pneumatic Cylinders .

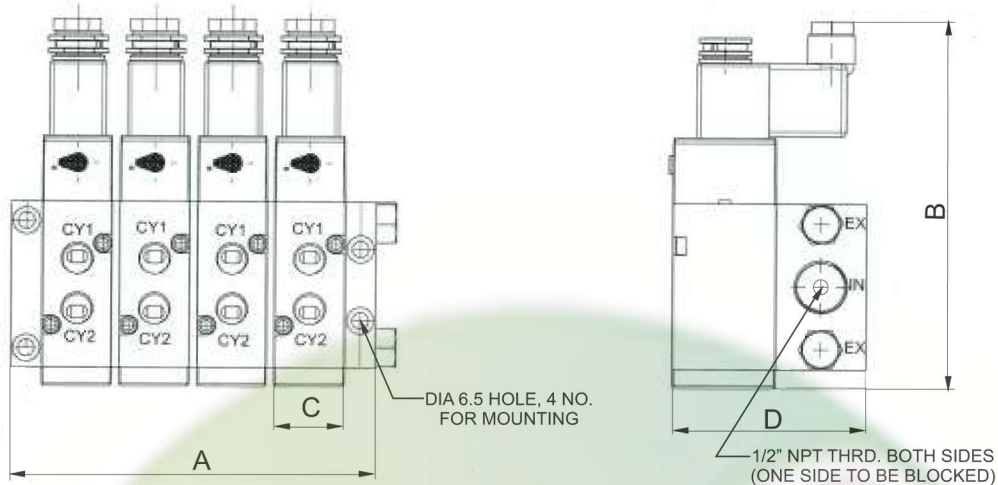
SPECIFICATIONS:

Series	Pipe Size	Orifice Size	Flow Factor Kv	Min. Pres sure	Max. Operating Pressure (Bar)		BTP	Material		Constr. Ref. No	Coil Type	Coil Rating		Housing
					AC (Air)	DC (Air)		Body	Seat			VA	Watt	
482D	Inch	mm	M ³ /hr.	bar	AC (Air)	DC (Air)	bar	Body	Seat			~	=	
062	¼	6	0.5	2	12	10	16	AL	BN	587	M22	5.5	4	SQ
064	¼	6	0.5	2	12	10	16	AL	BN	587	M22	5.5	4	SQ
066	¼	6	0.5	2	12	10	16	AL	BN	587	M22	5.5	4	SQ
068	¼	6	0.5	2	12	10	16	AL	BN	587	M22	5.5	4	SQ



NOTE: Valves suitable for AC and DC supply are different in characteristics and construction. No Interchanging of coils between DC to AC or AC to DC possible. DO NOT INTERCHANGE COILS. Minimum details required for submitting offer: Size, Body material, diaphragm, medium name, Flow (M3/hr), pressure (bar), temp. Deg.C, coil voltage AC or DC,Quantity (Nos), etc.

Construction Ref. No. 587



DIMENSION TABLE

Catalogue Number	Constr. Ref.	Number of Valves	Dimensions in mm				Weight(kgs)
			A	B	C	D	
482D 062	587	2	81	145	27	77	1.022
482D 064	587	4	141	145	27	77	1.880
482D 066	587	6	201	145	27	77	2.738
482D 068	587	8	261	145	27	77	3.596

How to read the catalogue:



Coil Voltage:

