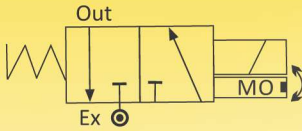


# SOLENOID VALVES FOR AUTOMATION

## 3 - WAY MANIFOLD MOUNTED SOLENOID VALVES

### SERIES 381D



On De-energization Normally Inlet Closed, Outlet Connects to Exhaust Port.  
On Coil Energization inlet is Connected to Outlet , Closing Exhaust Port.

**NOTE:** For your requirement of valves with Flameproof Enclosure , please refer to catalogue no. 9381B.

#### General Description:

Series 381D062 (2-Valves) to 381D068 (8-valves) one can connect upto 16 valves together, but one has to provide an Accumulator in the beginning of the Inlet of the valves to stop starving of the valves.

#### End Connection:

'G' –ISO-228 (BSP) & NPT. – ¼" Size only.

#### Max. Temperature Range:

Working temperature for media is (-)5°C to 80°C with Buna Nitrile.  
Max.ambient temperature with Class 'H' coil (+)42°C.

#### Coil:

Series 381D Solenoid Valves are supplied with Class 'H' insulated (180°C) coils; encapsulated in Thermo Plastic, containing 40% Glass fibre. All coils are for continuous service, 100% duty (E.D). Rated voltage tolerances for all AC Coils ±10%/-5% and for DC Supply Coils +10%/-5%. Coils can be used on AC with frequency of 50 Hz.

#### Installation:

Valves can be mounted in any position except "Inverted", preferable in Horizontal pipeline with magnetic construction in vertical and upright position.  
Series 381D valves are not designed for Back Pressure coming from downstream side.

#### Approvals:

IP-65 As per IEC-60529-2001,  
Coil: M22-SQ:220/230V 50/60 Hz, 240V 50/60 Hz, 110V 50/60Hz; 24V DC.

#### Material:

Valve Body : Standard Die Cast Mazak, epoxy painted to prevent atmospheric corrosion.  
Seals(Seating) : Standard: Buna Nitrile.  
Tube Nut : Brass extruded tube or SS316.  
Plunger & Stopper : AISI 430FR St.St.  
Spring : AISI302 St.St.  
Shading Ring : For AC: Copper/Al. For DC:No Shading Ring.  
Coil Type : AC-M22-SQ/GP/H, 240/110 V 50 Hz – Rating: 5.5 VA . DC-M22-SQ/GP/H, 24VDC, Rating: 4.0 watts.  
Manual Override Application : Standard  
: Valves are very suitable and useful for Piloting diaphragm control valves, Bag filter Valves, Angle Seated Valves, Any pilot operation.

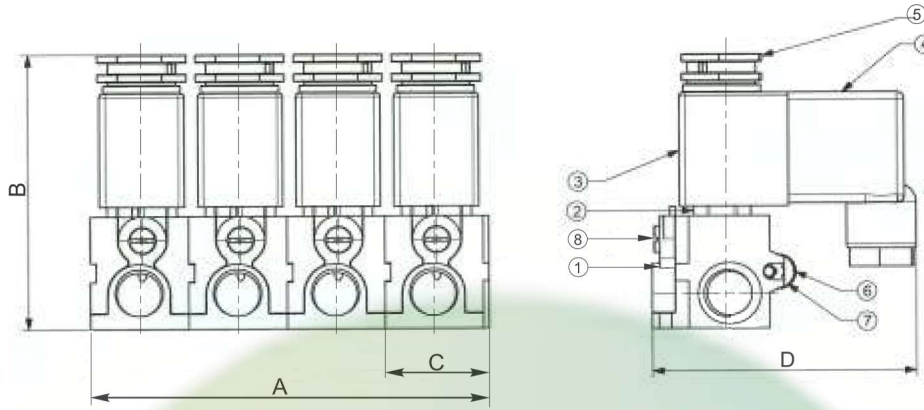
### SPECIFICATIONS:

Series	Pipe Size	Orifice Size	Flow Factor Kv	Min. Pressure	Max. Operating Pressure (Bar)	BTP	Material		Constr. Ref. No	Coil Type	Coil Rating		Housing
							Body	Seat			VA	Watt	
381D	Inch	mm	M <sup>3</sup> /hr.	bar	Air	bar					~	=	
062	¼	1.5	0.08	0	10	16	ZM	BN	579	M22	5.5	4	SQ



**NOTE:** Valves suitable for AC and DC supply are different in characteristics and construction.  
No Interchanging of coils between DC to AC or AC to DC possible. DO NOT INTERCHANGE COILS.  
Minimum details required for submitting offer: Size, Body material, diaphragm, medium name, Flow (M3/hr), pressure (bar), temp. Deg.C, coil voltage AC or DC.,Quantity (Nos), etc.

Construction Ref. No. 579



**BILL OF MATERIAL**

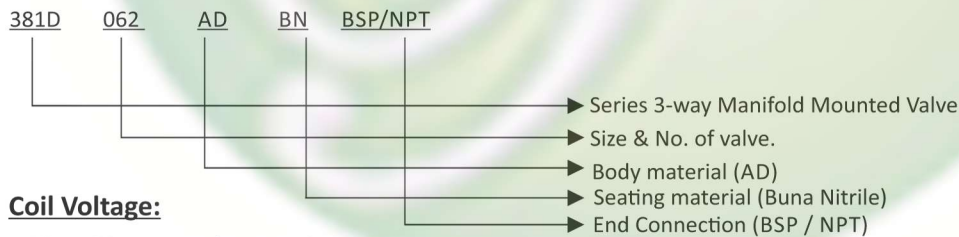
8	SS	M.O ASSLY	1
7	MS PLATED	WASHER (Ø3.5xØ9x1.5T)	1
6	SS	ALAN CAP SCREW (M3x16L)	1
5	PLASTIC	COIL LOCK NUT	1
4	DIN - 43650 - C	CONNECTOR	1
3	220 VAC / 24 VDC	COIL M22	1
2	BRASS	OPERATOR ASSEMBLY	1
1	ALUMINIUM	BODY	1
SL.NO	MATL	COMPONENT	QTY

**DIMENSION TABLE**

Catalogue Number	Constr. Ref.	Number of Valves	Dimensions in mm			
			A	B	C	D
381D 062	560	2	53	72	27	68
381D 063	560	3	78	72	27	68
381D 064	560	4	103	72	27	68
381D 065	560	5	128	72	27	68
381D 066	560	6	153	72	27	68
381D 067	560	7	178	72	27	68
381D 068	560	8	203	72	27	68

NOTE: Weight of each is 0.127. Multiple Weight X No of Valves.

**How to read the catalogue:**



**Coil Voltage:**

