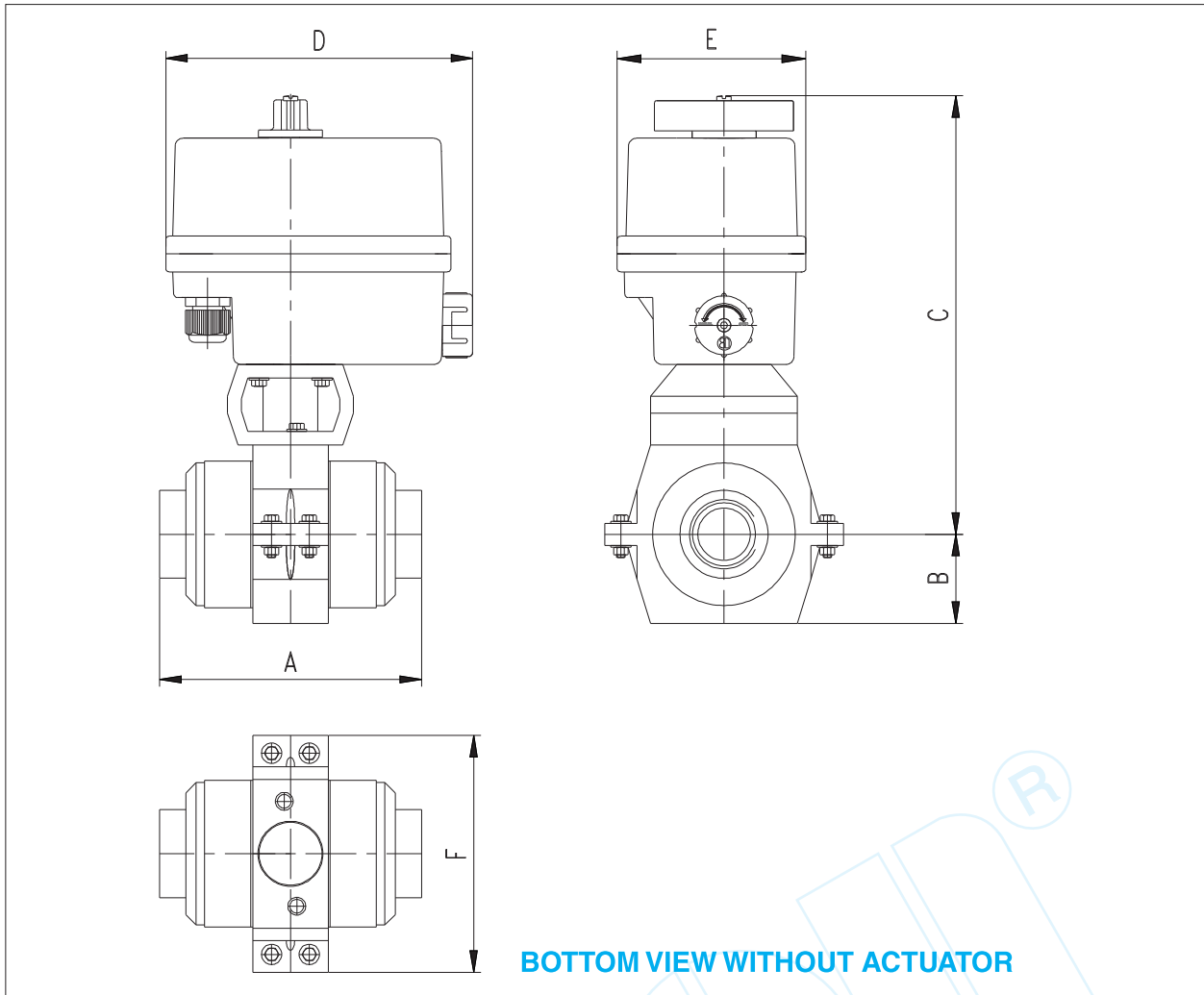


2 WAY PVC. BALL VALVE WITH ELECTRIC ACTUATOR EA-21/50

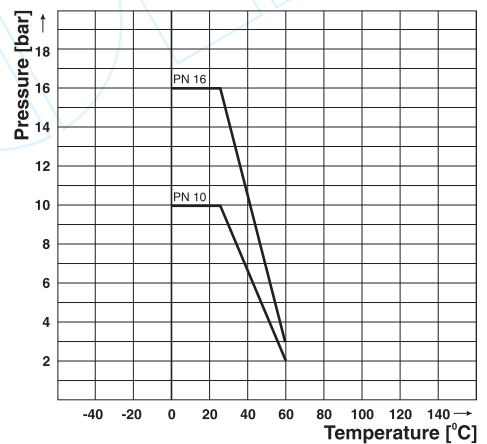


DIMENSION (IN MM)

Catalogue Number	Pipe Size (Inch)	A	B	C	D	E	F	Weight (Kg)
2572 K 151	1/2	102	34	236	172	105	113	2.2
2572 K 201	3/4	115	40	245	172	105	113	2.35
2572 K 251	1	125	43	248	172	105	113	2.4
2572 K 351	1½	168	57	265	172	105	145	3.3
2572 K 501	2	197	65	295	200	128	145	6.2

• OPEN TOLERANCE ± 3 ALL OVER

PRESSURE TEMPERATURE CHART



Note:

Technical specifications, details & dimensions are subject to change without prior notice. Dimensions in the table are approximate subject to final confirmation by AVCON.