

3/2 Way Metal Body Ball Valves with Rotary Electric Actuators Full Port ('L' & 'T' Port).

DATA SHEET
BV-2530F/2531R

Model 2531F is close coupled Valve / Model 2530F is Bracket mounted Valve .

SPECIFICATIONS

Size	: 15mm (1/2") to 65mm(2½")
Body and End Pieces	: Investment Casted Cast Steel ASTM A216 WCB or Stainless Steel ASTM A351 CF8 (SS304) or CF8M (SS316).
Ball Design	: Stainless Steel AISI 316 bar stock. : As per API 607 Std.
Stem & Stem Nut	: Stainless Steel AISI 316.
Ball Seat & Seals	: Reinforced PTFE /RPTFE.
Body Gasket	: PTFE.
Antistatic device	: Stainless Steel AISI 316.
Pressure-temp. rating	: As per ASME B 16.34 Class 300.
Body Pr. Rating	: As per ASME B 16.34 Class 300
End connection	: Screwed/Flanged.
Screwed end	: 15mm(½") to 65mm (2½") BSP/NPT.
Flanged End	: 15mm (1/2") to 65mm (2½") - Flanged to ASME B16.5 Cl.150.
Leakage Class	: As per ANSI-FCI-70-2. Teflon seating Class VI.
Characteristics	: On-Off.
Temp. (max).	: 155°C with bracket mount. If temperature is lower than 100°C, Valves are available with Direct mounted Electrical Actuator at Economical Price.



ACTUATOR:

Refer to table below:

Voltage	: Standard- 230V 50 Hz AC., Optional -110 V 50 Hz, 24 V DC.
Manual Operation	: All Electric actuators are fitted with manual override as a standard.

Accessories	: All Motorised Ball Valves can be provided with accessories for automation Extra Limit Switches, Potentiometer, Remote Position Indicator, 4 to 20 mA Interphase Unit, IP-67 Protection.
Sales Point	: Highly reliable, long life, Simple in construction and maintenance free Ball Valve.
Application	: For air, water, oil, gas, corrosive chemicals, combustion equipment, Power stations, Hydro-Electric Power Generation, Chemical and Petrochemical Industries.

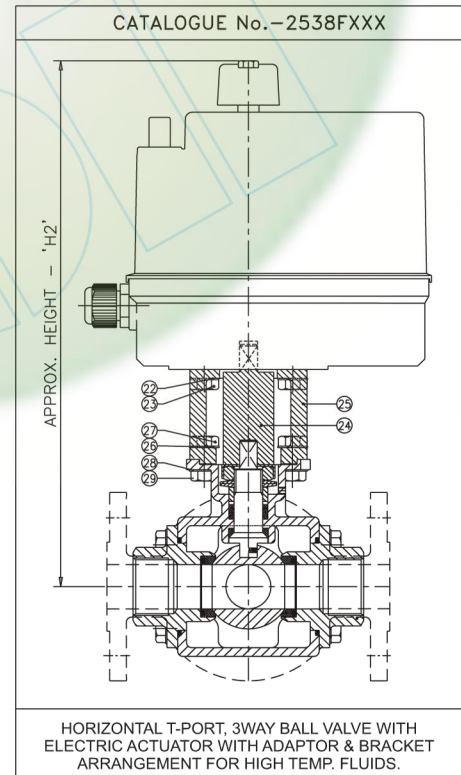
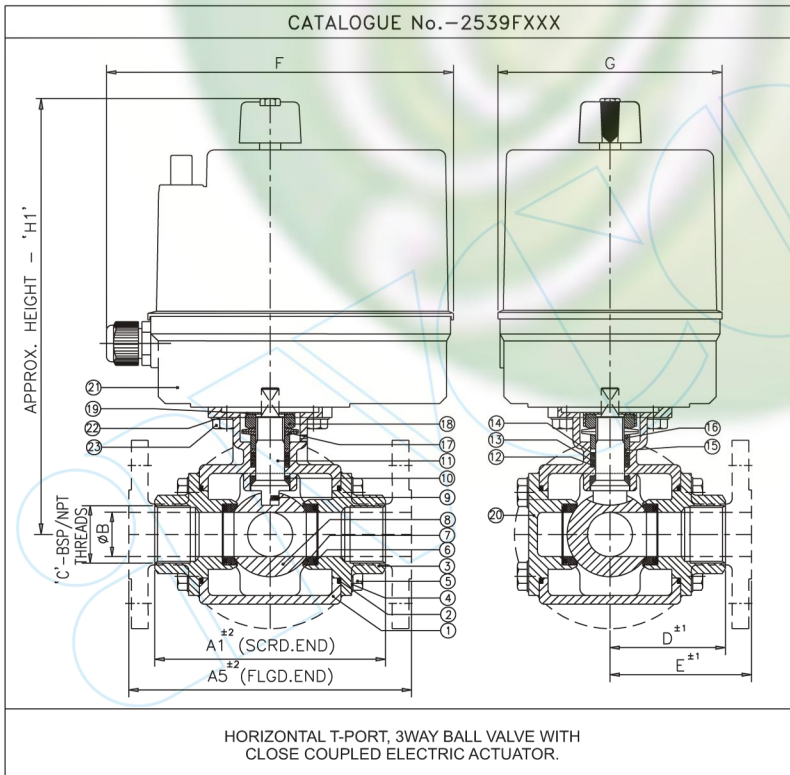
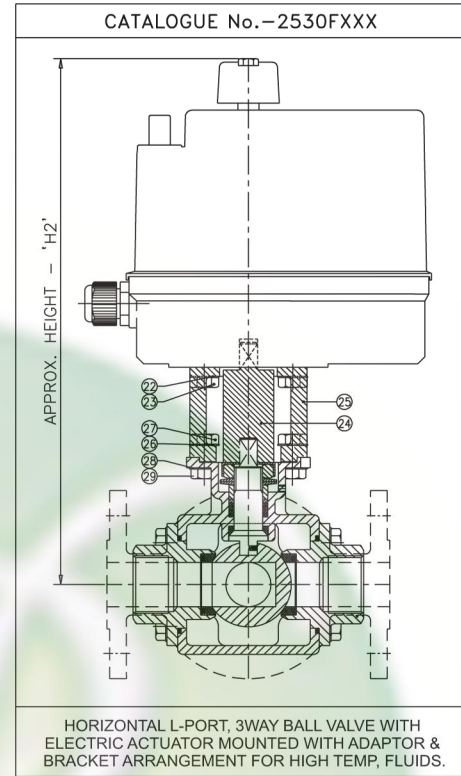
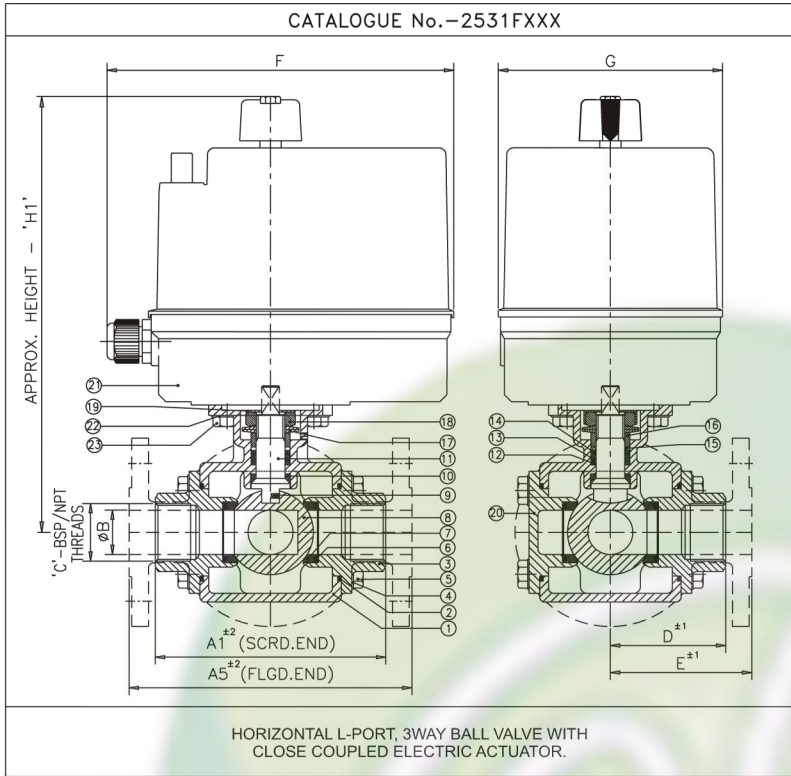
Model 2531F is close coupled Valve & Actuator for Air, Water, Oil & Gas (Temp. 80°C).

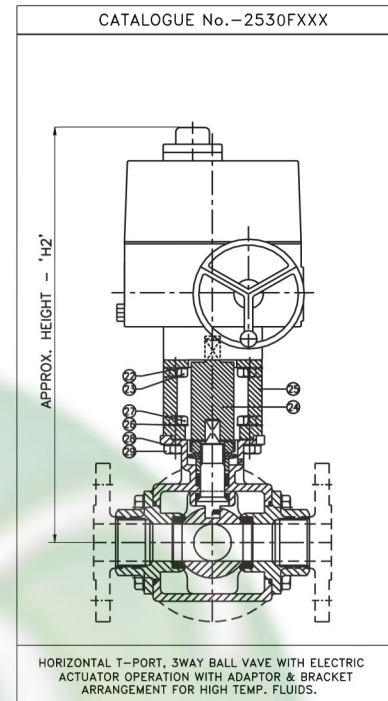
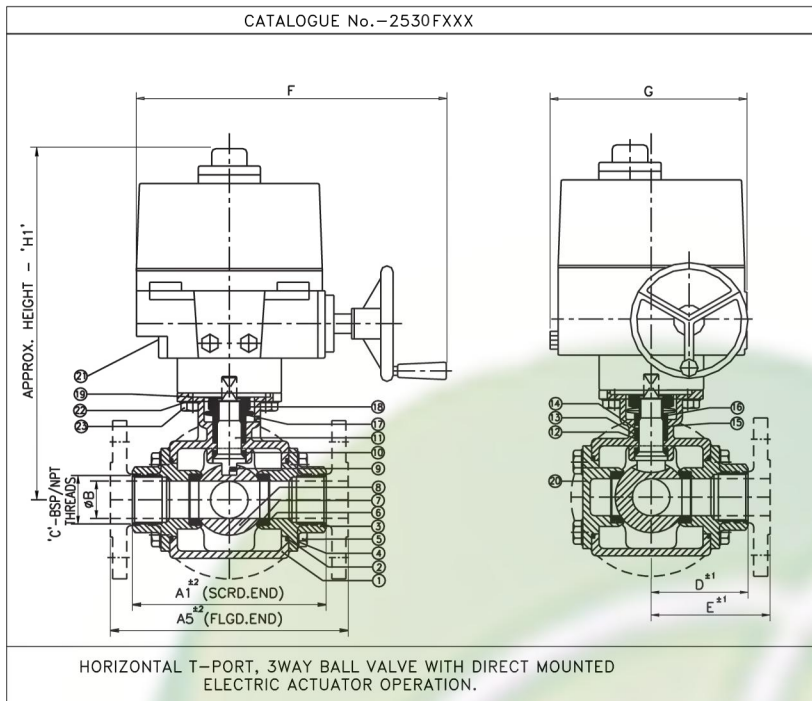
Model 2530F is Bracket mounted Valve & Actuator for Air, Water, Oil, Gas & Steam (Temp. upto 155°C).

SPECIFICATION TABLE

Catalogue Number	Size		Orifice Size	Flow Factor Kv	Safe Working Pressure	Working Pressure	Actuator Type D or E	Opening/ Closing Time Approx.	Power Consumption
	Inch	mm							
2530F15	1/2	15	15	10.4	40	12	EA-21	20	15
2530F20	3/4	20	20	27.5	40	12	EA-21	20	15
2530F25	1	25	25	48.0	40	12	EA-21	30	15
2530F40	1½	40	40	103.0	40	12	EA-50	30	18
2530F50	2	50	50	206.0	40	12	EA-70	30	18
2530F65	2½	65	65	275.0	40	12	AM-09	30	40

Note: All 3-way Motorised Valves are 'Motorised to Open or Motorised to Close Type' only. Spring Return-Fail Safe Types are Not Available.





BILL OF MATERIAL

Sr.No	Description	Material	Sr.No.	Description	Material	Sr.No.	Description	Material
1	Body	CF8M/CF8/WCB	11	Stem	AISI-316	21	Electric autuator	STD-EA21/EA50/EA70
2	Flat ring*	PTFE	12	Gland packing - bottom*	PTFE	22	Spring washer	SS-304/M.S.plated
3	End piece	CF8M/CF8/WCB	13	Gland packing*	PTFE	23	Hexagonal bolt	SS-304/M.S.plated
4	Spring washer	SS-304/m.s.plated	14	Gland packing-top*	PTFE	24	Adaptor	EN-8
5	Hexagonal bolt	SS-304/m.s.palted	15	Bushing	AISI-316	25	Bracket	EN-8
6	Seat O- ring*	EPDM	16	Gland bush	AISI-316	26	Spring washer	SS-304/M.S.plated
7	Seat	PTFE	17	Belleville washer	AISI-304	27	Hexagonal bolt	SS-304/M.S.plated
8	Ball (L/T-port)	AISI-316	18	Lock nut	AISI-304	28	Spring washer	SS-304/M.S.plated
9	Antistatic device	SS-316	19	Lock washer	AISI-304	29	Hexagonal nut	SS-304/M.S.plated
10	Stem seal	RPTFE(25%GFT)	20	Tail piece	CF8M/CF8/WCB			

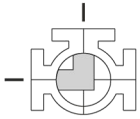
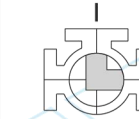
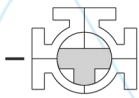
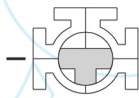
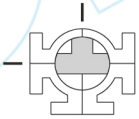
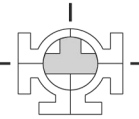

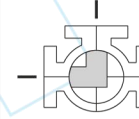
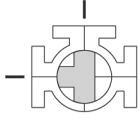
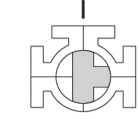
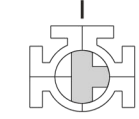
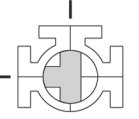
*Spare Parts

DIMENSIONS IN (MM)

Catalogue Number	Valve size (NB)		A1	A5	C	D	E	F	G	Approx Height		Electric Actuator	Approx. Weight In Kgs			
	Inch	mm								H1	H2		2530/2538FXX1	2530/2538FXX5	2531/2539FXX1	2531/2539FXX5
253XF151/155	1/2"	13	85	130	1/2"	42.5	65	175	105	200	235	EA21	3.9	5	4.4	5.5
253XF201/205	3/4"	19	108	150	3/4"	54	75	175	105	210	245	EA21	4.4	5.8	4.9	6.3
253XF251/255	1"	25	130	160	1"	65	80	175	105	219	269	EA21	6.3	7.8	6.9	8.4
253XF351/355	1 1/2"	38	165	200	1 1/2"	82.5	100	200	130	260	310	EA50	11.4	14.6	12	15.2
253XF501/505	2"	51	170	230	2"	85	115	200	130	285	335	EA70	18.75	24.25	19.45	24.95
253XF651/655	2 1/2"	64	196	290	2 1/2"	98	145	326	181	400	470	AM 09	30.05	35.55	30.75	36.25

Note :- While booking 3-way ball valve , stockist / distributor / sales engineers should insist our customer to select a L - port / T - port ball - position from the following option as per the service condition / application of the valve & forward the same document along with purchase order to **AVCON**.

VIEW FROM TOP SHOWING VARIOUS AVCON MAKE HORIZONTAL L-PORT / T-PORT BALL VALVES, BALL POSITION WITH CLOCKWISE/COUNTER-CLOCKWISE ROTATION

AVCON MAKE 90° OPERATION HORIZONTAL L-PORT, BALL VALVE (SERIES-2330/2331)		AVCON MAKE 90° OPERATION HORIZONTAL T-PORT, BALL VALVE (SERIES-2338/2339)			
HLP-1	HLP-2	HTP-1	HTP-2	HTP-3	HTP-4
L-PORT BALL POSITION BEFORE ELECTRIC SUPPLY GIVEN TO THE ELECTRIC ACTUATOR.	L-PORT BALL POSITION BEFORE ELECTRIC SUPPLY GIVEN TO THE ELECTRIC ACTUATOR.	T-PORT BALL POSITION BEFORE ELECTRIC SUPPLY GIVEN TO THE ELECTRIC ACTUATOR.	T-PORT BALL POSITION BEFORE ELECTRIC SUPPLY GIVEN TO THE ELECTRIC ACTUATOR.	T-PORT BALL POSITION BEFORE ELECTRIC SUPPLY GIVEN TO THE ELECTRIC ACTUATOR.	T-PORT BALL POSITION BEFORE ELECTRIC SUPPLY GIVEN TO THE ELECTRIC ACTUATOR.
					
L-PORT BALL POSITION AFTER ELECTRIC SUPPLY GIVEN TO THE ELECTRIC ACTUATOR.	L-PORT BALL POSITION AFTER ELECTRIC SUPPLY GIVEN TO THE ELECTRIC ACTUATOR.	T-PORT BALL POSITION AFTER ELECTRIC SUPPLY GIVEN TO THE ELECTRIC ACTUATOR.	T-PORT BALL POSITION AFTER ELECTRIC SUPPLY GIVEN TO THE ELECTRIC ACTUATOR.	T-PORT BALL POSITION AFTER ELECTRIC SUPPLY GIVEN TO THE ELECTRIC ACTUATOR.	T-PORT BALL POSITION AFTER ELECTRIC SUPPLY GIVEN TO THE ELECTRIC ACTUATOR.
					
POSITION AFTER 90° CLOCKWISE ROTATION	POSITION AFTER 90° COUNTER CLOCKWISE ROTATION	POSITION AFTER 90° CLOCKWISE ROTATION	POSITION AFTER 90° COUNTER CLOCKWISE ROTATION	POSITION AFTER 90° CLOCKWISE ROTATION	POSITION AFTER 90° COUNTER CLOCKWISE ROTATION

HLP - Horizontal L-Port Position
 HTP - Horizontal T-Port Position

Note:

Technical specifications, details & dimensions are subject to change without prior notice.
 Dimensions in the table are approximate subject to final confirmation by AVCON.