

2-Way Ball Valves in Plastic Body with Pneumatic Rotary Actuator.

DATA SHEET
2372 KXX1/PVC
2372 KXX2/PVC
2372 KXX5/PVC

SPECIFICATIONS

Type: 2372K Series are Full Bore, PVC Construction Ball Valves, fitted with 90° turn Pneumatic Rotary Actuator. Valves can be used for Water, Air, Oil, Corrosive Chemicals, Dirty fluids. The Ball Valves when in 'Closed' position, isolates completely fluid flowing through valve. When 'Open' assures very high rate of flow.

Bodies are available with both ends union connection, which further can be provided with:

2372KXX2-Standard - Solvent Cement Socket Metric,

2372KXX1-Optional - Screwed end to 'R' (BSP),

2372KXX5-Optional - Flanged, to ANSI Cl.150 or DIN PN16.

Max. fluid temp. : See Pressure-Temp. Chart.

ACTUATOR

: AVCON Model Rack & Pinion Type, With Aluminium Die Casted Piston & End Covers, Deep Anodised Extruded Aluminium body.

Type: Single Acting : ACT-63-S/NC or ACT-63-S/NO

Double Acting : ACT-63-D/ Without Spring.

Max. temperature : 60°C.

Pilot Pressure : 4 to 8.5 bar air or non-corrosive gas.

The actuator has built-in Namur mounting interface any standard Namur Solenoid Valve can be fitted. Valve position indicator is incorporated as standard.

OPTIONAL FEATURES & ACCESSORIES

Valves are supplied in 'Normally Closed' condition with Single Acting, Spring Return Actuator.



Optionally : 'Normally Open' construction-Double Acting Actuator, Electro-Pneumatic Valve Positioner, I to P Converter, Valve Travel Indicator with Limit switches or Proximity switches, Stroke limiting mechanism, Manual override (in lieu of some accessory), Namur 3-way or 4-way Solenoid Valve, etc available.

Note-1: While asking for offer - please specify name of the line fluid, pressure, temperature, flow in M³/hr, end connections details, available air pressure, etc.

Note-2: Ball valves in PVDF material are also available.

SPECIFICATION TABLE

Catalogue Number	Size Dia	Pipe Size		Safe Body Pressure	Working Pressure	Actuator Model	Pilot Line Pr.	Kv	Max.Wkg. Temp.	Wt.#
	mm	Bore mm	Pipe OD mm							
2372 K152	15	15	20	10	8	ACT-63-S/D	4 to 8.5	10.0	60	1.4
2372 K202	20	20	25	10	8	ACT-63-S/D	4 to 8.5	28.0	60	1.6
2372 K252	25	25	32	10	8	ACT-63-S/D	4 to 8.5	40.0	60	1.65
2372 K302	32	32	40	10	8	ACT-63-S/D	4 to 8.5	71.0	60	3.5
2372 K402	40	40	50	10	8	ACT-63-S/D	4 to 8.5	103.0	60	3.7
2372 K502	50	50	60	10	6	ACT-63-S/D	4 to 8.5	234.0	60	4.2

*Working pressure limit is assumed that, fluid temperature to be at 30°C or below.

Weight given above is, Ball Valves with Spring Return type Actuator and with Solvent Cement Socket End connection and without any accessory. For other models weight may differ.

A) Weight Solenoid Valve type 9484E06..GP enclosure Wt. 656gms, (FLP Encl. weight on request). B) Limit switch box Wt.400gms.

To find out size of valve Bore Dia:

Approx.calculation of valve I.D (For Liquid)
Formula for calculating of valve bore dia

$$d_f = 18.8 \times \sqrt{\frac{Q1}{V}} \quad \text{or} \quad d_f = 35.7 \times \sqrt{\frac{Q2}{V}}$$

d_f = Bore dia of the valve (mm)

V = Velocity of flow/flow rate in u/s for water

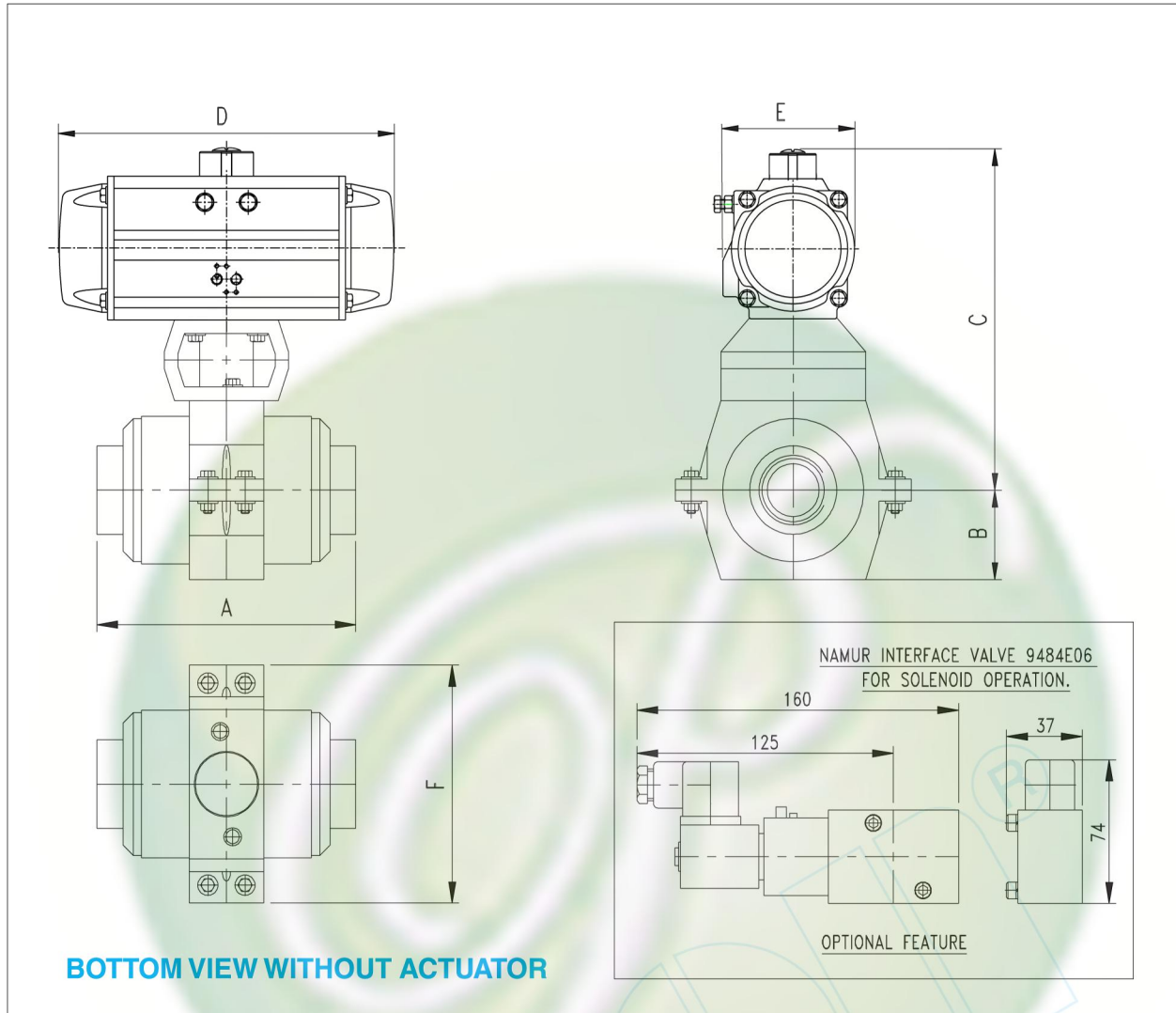
= (0.5 to 1.00 m/s for suction side)

= (1.0 to 3.00 m/s for pressure side)

$Q1$ = Flow rate in M³/hr

$Q2$ = Flow rate in L/s

2 WAY PVC. BALL VALVE WITH PNEUMATIC ACTUATOR

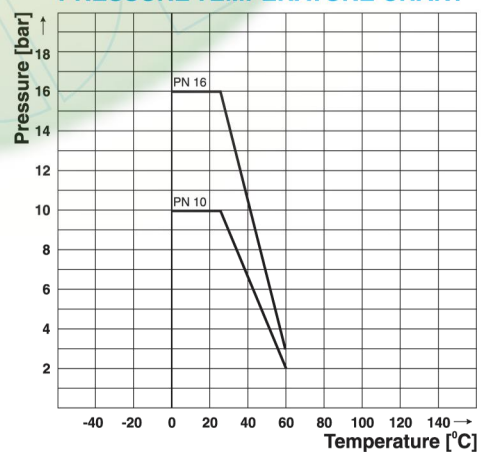


DIMENSION (IN MM)

Catalogue Number	Pipe Size (Inch)	A	B	C	D		E	F	Weight (Kg)	
					S	D			Double Acting	Spring Acting
2372K151	1/2	102	34	158	173	173	82	113	1.3	1.4
2372K201	3/4	115	40	165	173	173	82	113	1.45	1.6
2372K251	1	125	43	165	173	173	82	113	1.5	1.65
2372K351	1½	168	57	212	173	173	82	145	2.9	3.7
2372K501	2	197	65	224	173	173	82	145	3.4	4.2

• OPEN TOLERANCE ± 3 ALL OVER

PRESSURE TEMPERATURE CHART



Note:

Technical specifications, details & dimensions are subject to change without prior notice. Dimensions in the table are approximate subject to final confirmation by AVCON.