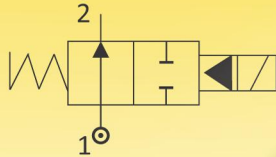


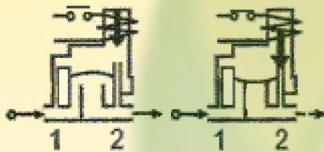
SOLENOID VALVES FOR STEAM DUTY.

2/2 WAY – NORMALLY OPEN – INTERNAL PILOT OPERATED DIAPHRAGM TYPE, WITHOUT MANUAL OVERRIDE

SERIES 172D



N.O.
Normally Open
Coil de-energised - Closed
Coil energised - Open



General Description:

Series 172D Solenoid Valves are Diaphragm Pilot Operated and require very low minimum differential pressure to operate. Valves are used on application with High Flow Rate. Valves are suitable for general application with medium such as Water, Hot Water, Steam provided they are compatible with construction material of the valve.

End Connection:

'G'-ISO-228 (BSP) & NPT.

Max Temperature Range:

For media: Min.(-)5 °C & Max. with Silicon Diaphragm :150°C. Max. ambient temperature with Class 'H' coil (+)42°C.

Coil:

Series 172D Solenoid Valves are available in Class 'H' insulated (180°C) Coils, encapsulated in Thermo Plastic, containing 40% Glass fibre. All coils are for continuous service, 100% duty (E.D). Rated voltage tolerances for all AC Coils ±10%/-5% and for DC Supply Coils +10%/-5%. Coils are suitable for Connectors Form A (ISO4400) according to EN 175301-803 and Protection Class IP 65 as per IEC-60529-2001.

Installation:

The valves are essentially suitable for mounting in Horizontal pipeline with magnetic construction in vertical and upright position. Series 172D Solenoid Valves are not designed for Back Pressure coming from downstream side.

Approvals:

IP-65 As per IEC-60529-2001, Coil M-36-SQ: 220/230V 50/60 Hz, 240 50/60Hz, 110 50/60 Hz & 24V DC.

Material:

- Valve body : Brass stamping to IS 6912 (3/8" & 1/2"),
- : ASTM A351 Gr.CF8 (SS304), Optional: ASTM A351 Gr.CF8M (SS316).
- Seals (seating) : Silicon.
- Tube Nut : AISI 316 St. St.,
- Plunger and stopper : AISI 430FR St. St.,
- Spring : AISI 302 St. St.,
- Shading ring : For AC: Copper / Al / Silver, For DC: No shading ring.
- Coil Type : AC – M36-SQ/GP/H, 240V, 110V 50Hz, Rating:18 VA, DC – M36-SQ/GP/H, 24V, Rating: 12 Watts.

NOTE

- 1) Valve may not function properly if prime steam (wet steam) is supplied.
- 2) Manual override not available.

SPECIFICATIONS:

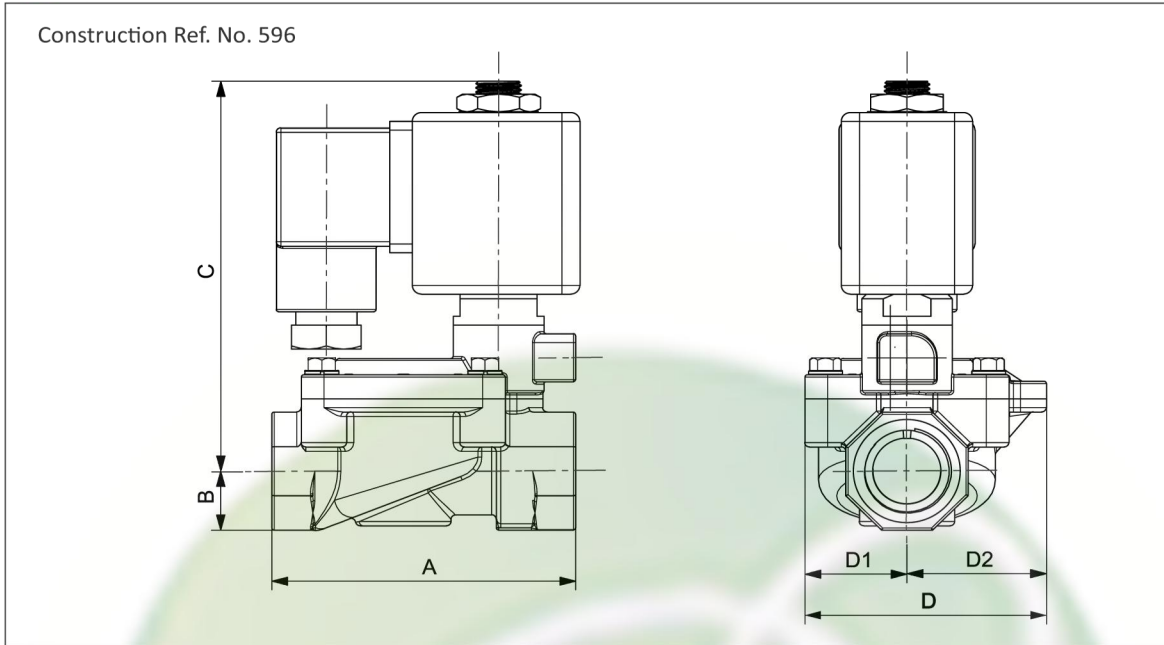
Series	Size 'G' thr	Orifice Size	Flow Factor Kv	Body Material	Seat	BTP	Working Pr.(bar)		Coil Type (HT)	Coil Rating		Constr. Ref. No	Weight* (kgs)	
							min	max		VA	Watt			
172D	Inch	mm	M ³ /hr.			bar				~	=			
10	3/8	15	3.0	BR	—	Si	25	0.3	6	M36-SQ	18	12	596	0.530
15	1/2	15	3.0	BR	CF8	Si	25	0.3	6	M36-SQ	18	12	596	0.580
15	1/2	15	3.0	-	CF8	Si	25	0.3	6	M36-SQ	18	12	596	0.550
20	3/4	20	8.0	-	CF8	Si	25	0.3	6	M36-SQ	18	12	596	0.880
25	1	25	9.5	-	CF8	Si	25	0.3	6	M36-SQ	18	12	596	0.935
35	1 1/2	35	30	-	CF8	Si	25	0.3	6	M36-SQ	18	12	596	2.5
50	2	50	37.5	-	CF8	Si	25	0.3	6	M36-SQ	18	12	596	2.5

NOTE: At inlet side use of fine mesh filter/strainer is strongly recommended.

*Weight of CF8 Body.



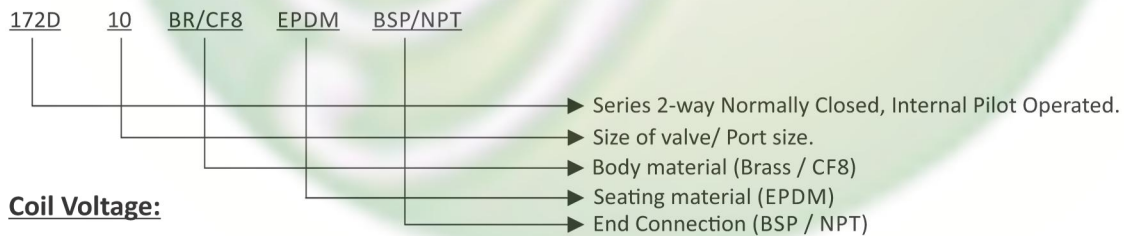
NOTE: Valves suitable for AC and DC supply are different in characteristics and construction. No Interchanging of coils between DC to AC or AC to DC possible. DO NOT INTERCHANGE COILS. Minimum details required for submitting offer: Size, Body material, seating, medium name, Flow (M3/hr), pressure (bar), temp. Deg.C, coil voltage AC or DC., Quantity (Nos), etc.



DIMENSION TABLE

CATALOGUE NO.	Size	DIMENSION IN MM						APPROX WT. (kgs)
		A	B	C	D	D1	D2	
172D 10	3/8"(FG)	67	13	95	53	22	31	0.530
172D 15	1/2"(FG)	67	13	95	53	22	31	0.580
172D 15	1/2"(IC)	67	13	95	53	22	31	0.550
172D 20	3/4"(IC)	93	17	101	76	33	43	0.880
172D 25	1"(IC)	102	20	104	76	33	43	0.935
172D 35	1 1/2"(IC)	135	30	105	104	50	54	2.5
172D 50	2"(IC)	160	35	115	132	64	68	3.5

How to read the catalogue:



Coil Voltage:

