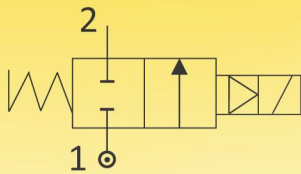


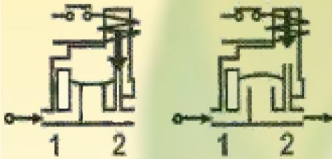
# SOLENOID VALVES FOR STEAM DUTY.

2/2 WAY – NORMALLY CLOSED – INTERNAL PILOT OPERATED DIAPHRAGM TYPE, WITHOUT MANUAL OVERRIDE

## SERIES 170D



N.C.  
Normally Closed  
Coil energised - Open  
Coil de-energised - Closed



**NOTE:** For your requirement of valves with Flameproof Enclosure, please refer to catalogue no. 9130D.

### General Description:

Series 170D Solenoid Valves are Diaphragm Pilot Operated and require very low minimum differential pressure to operate. Valves are used on application with High Flow Rate. Valves are suitable for general application with media such as Water, Hot water, Steam provided they are compatible with construction material of the valve.

### End Connection:

'G'-ISO-228 (BSP) & NPT.

### Max Temperature Range:

For media- Min. (-)5°C & Max. with : Silicon Diaphragm: 150°C. Max. Ambient Temp with Class 'H' Coil (+)42°C.

### Coil:

Series 170D Solenoid Valves are available in Class 'H' insulated (180°C) coils; encapsulated in Thermo Plastic, containing 40% Glass fibre. All coils are for continuous service, 100% duty (E.D). Rated voltage tolerances for all AC Coils ±10%/-5% and for DC Supply Coils +10%/-5%. Coils are suitable for Connectors Form A (ISO4400) according to EN 175301-803 and protection class IP 65 as per IEC-60529-2001.

### Installation:

Valves can be mounted in any position except "Inverted", preferably in horizontal pipeline with magnetic construction in vertical and upright position.

Series 170D Solenoid valves are not designed for Back Pressure coming from downstream side.

### Approvals:

IP-65 As per IEC-60529-2001. Coil M36-SQ: 220/230V 50/60 Hz, 240V 50/60Hz, 110V 50/60 Hz, 24V DC.

### Material:

- Valve Body : Brass Stamping to IS-6912 (3/8" & 1/2"),
- : ASTM A351 Gr.CF8 (SS304), Optional: ASTM A351 Gr.CF8M.
- Seals(Seating) : Silicon.
- Tube Nut : AISI 316St.St.
- Plunger & Stopper : AISI 430FR St.St.
- Spring : AISI302 St.St,
- Shading Ring : For AC:Copper  
For DC:No Shading Ring.
- Coil Type : AC-M36-SQ/GP/HT, 240V, 110V 50Hz, Rating:18VA.  
DC-M36-SQ/GP/HT, 24 VDC, Rating:12 watts

### NOTE

- : 1) Valve may not operate properly if used on wet steam.
- 2) Manual override not available.

## SPECIFICATIONS:

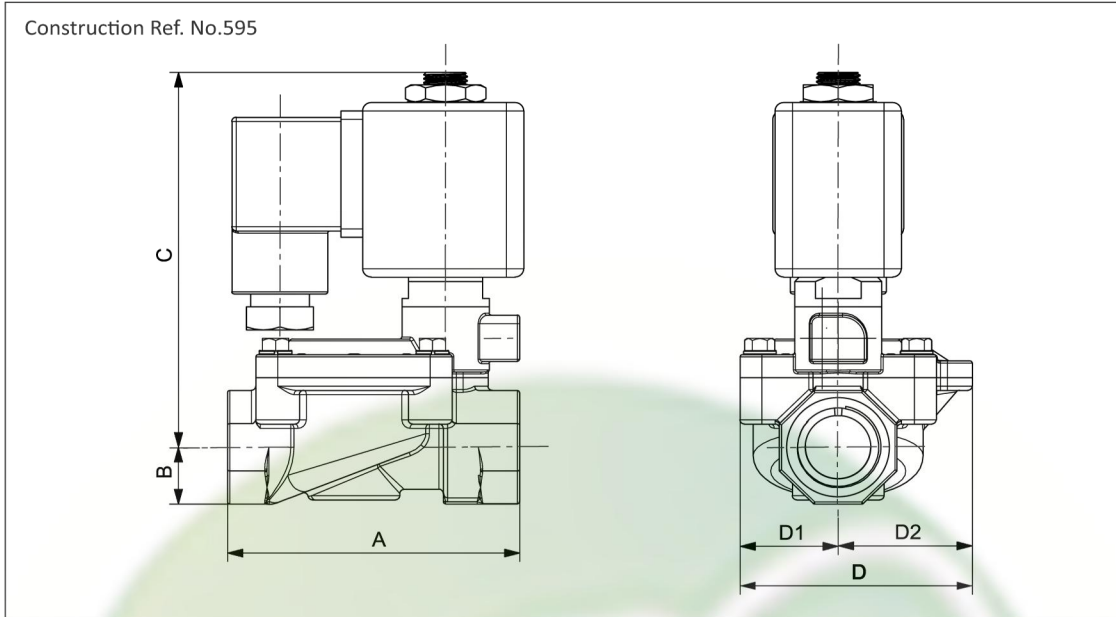
Series	Size 'G'thr	Orifice Size	Flow Factor Kv	Body Material	Seat	BTP	Working Pr.(bar)		Coil Type (HT)	Coil Rating		Constr. Ref. No	Weight* (kgs)	
							min	max		VA	Watt			
170D	Inch	mm	M <sup>3</sup> /hr.			bar				~	=			
10	3/8	15	3.0	BR	—	Si	25	0.3	6	M36-SQ	18	12	595	0.589
15	1/2	15	3.0	BR	CF8	Si	25	0.3	6	M36-SQ	18	12	595	0.589
15	1/2	15	3.0	-	CF8	Si	25	0.3	6	M36-SQ	18	12	595	0.557
20	3/4	20	8.0	-	CF8	Si	25	0.3	6	M36-SQ	18	12	595	0.859
25	1	25	9.5	-	CF8	Si	25	0.3	6	M36-SQ	18	12	595	0.942
35	1 1/2	35	30	-	CF8	Si	25	0.3	6	M36-SQ	18	12	595	2.5
50	2	50	37.5	-	CF8	Si	25	0.3	6	M36-SQ	18	12	595	2.5

**NOTE:** At inlet side use of fine mesh filter/strainer is strongly recommended.

\*Weight of CF8 Body.



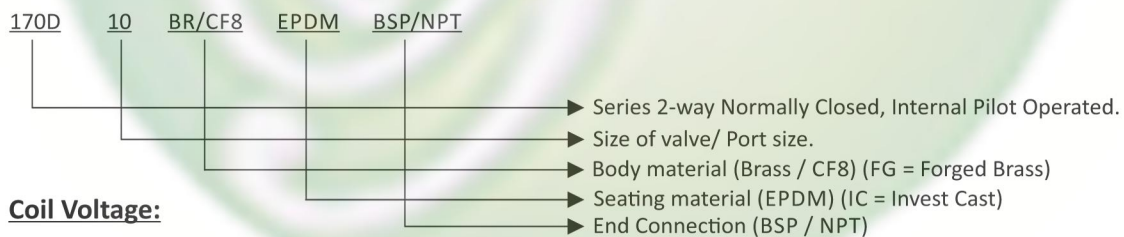
**NOTE:** Valves suitable for AC and DC supply are different in characteristics and construction. No Interchanging of coils between DC to AC or AC to DC possible. DO NOT INTERCHANGE COILS. Minimum details required for submitting offer: Size, Body material, seating, medium name, Flow (M3/hr), pressure (bar), temp. Deg.C, coil voltage AC or DC.,Quantity (Nos), etc.



**DIMENSION TABLE**

CATALOGUE NO.	Size	DIMENSION IN MM						APPROX WT. (kgs)
		A	B	C	D	D1	D2	
170D 10	3/8"(FG)	67	13	89	53	22	31	0.589
170D15	1/2"(FG)	67	13	89	53	22	31	0.589
170D 15	1/2"(IC)	67	13	89	53	22	31	0.557
170D 20	3/4"(IC)	93	17	95	76	33	43	0.859
170D 25	1"(IC)	102	20	98	76	33	43	0.942
170D 35	1 1/2"(IC)	135	30	105	104	50	54	2.5
170D 50	2"(IC)	160	35	115	132	64	68	2.5

**How to read the catalogue:**



**Coil Voltage:**

